

# CARNELUX LUMINAIRES INSTALLATION GUIDE

READ THE INSTRUCTIONS CAREFULLY BEFORE STARTING

## WARNING

**! Turn power off before inspection, installation or removal.**

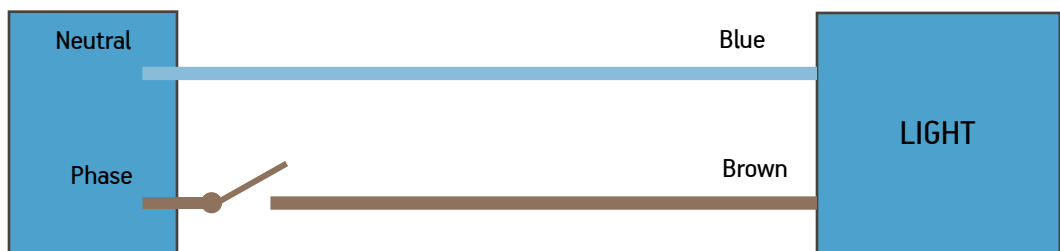
- Properly ground electrical enclosure.
- Perform installation in dry location only.
- Luminaire may fall down if not installed properly.
- Avoid direct eye exposure to the light source while it is on.
- Do not operate luminaire with damaged parts.
- To prevent wiring damage or abrasion, do not expose wiring to edges of sheet metal or other sharp objects.
- The manufacturer shall not be liable for any damage resulting from inappropriate modifications to the luminaire or faulty installation.

*If you have any questions, contact the manufacturer.*

## WIRING

1. Connect supply wires to luminaire wire leads per the wiring diagram using methods that comply with all applicable codes.
2. Turn power on.

### Class II Standart



# CARNELUX LUMINAIRES INSTALLATION GUIDE

## MOUNTING

5 YEARS WARRANTY

IP66

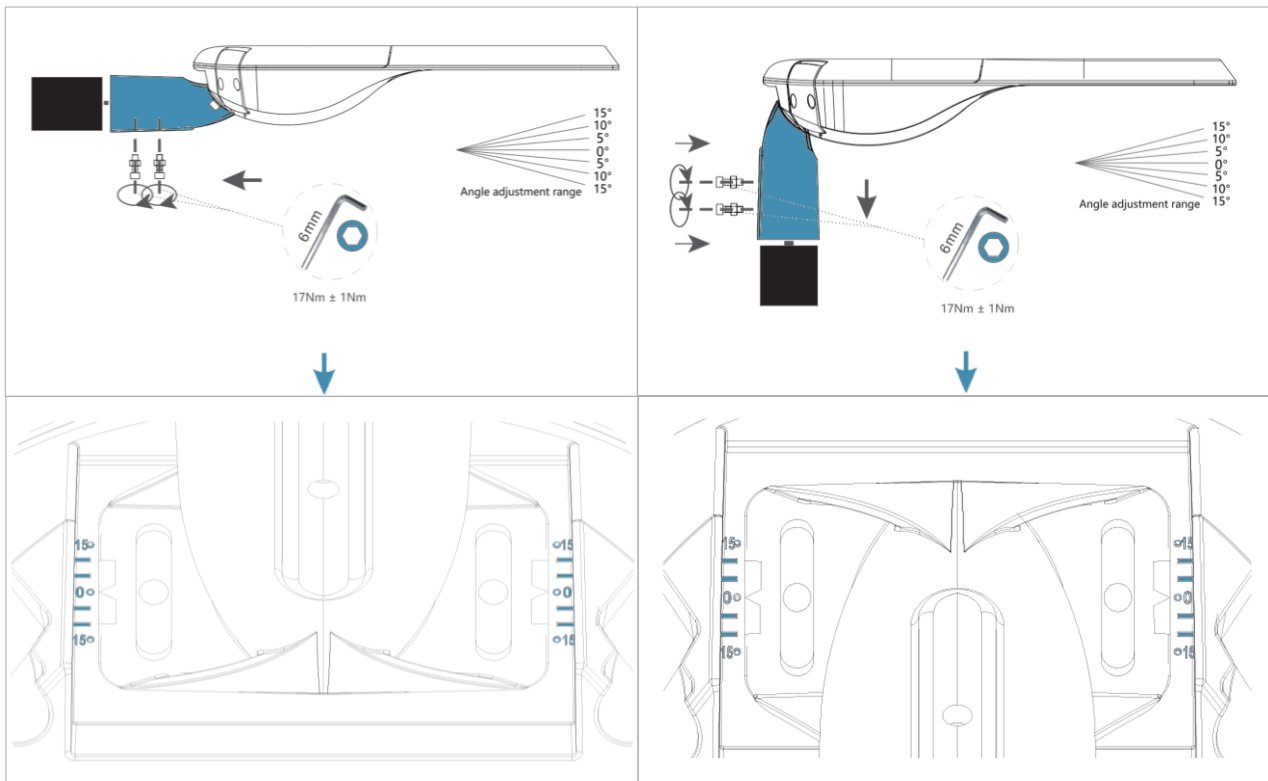
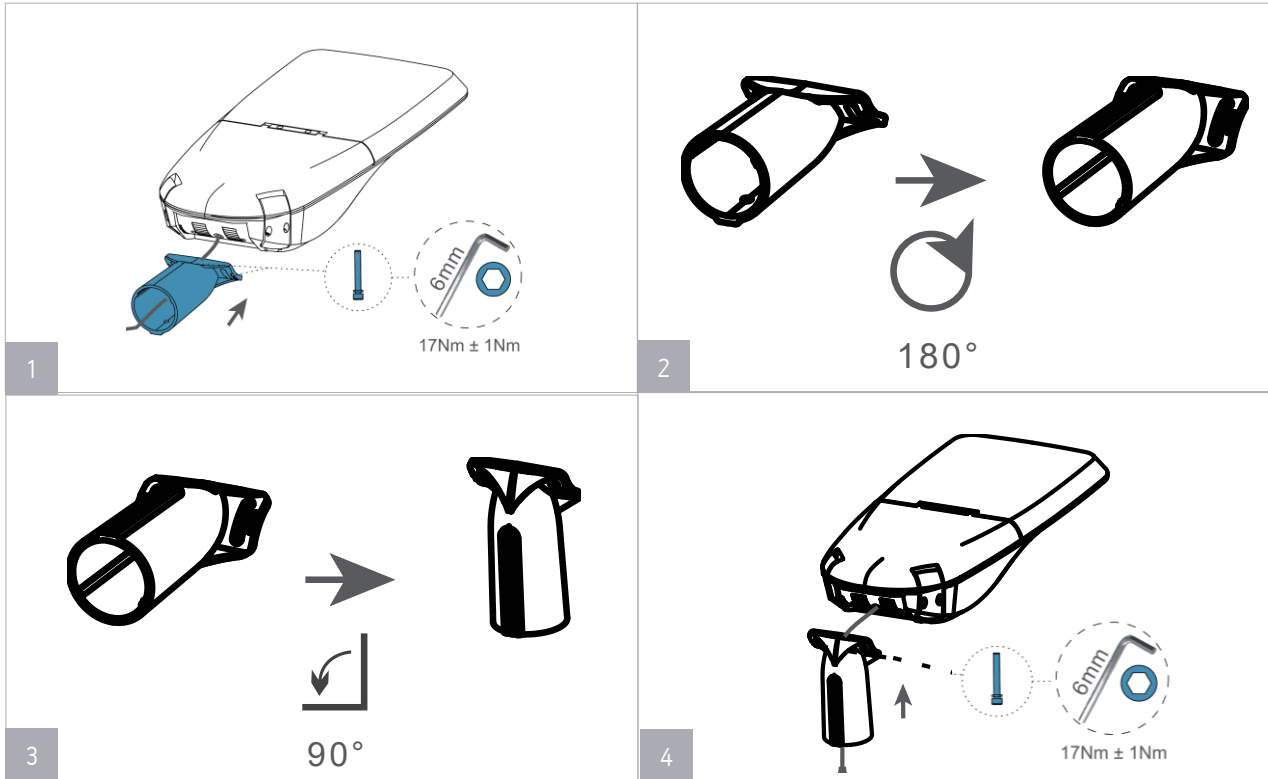
RoHS Compliant



CE



F



© 2021, All rights reserved BaltLED, UAB. Specifications are subject to change without notice.