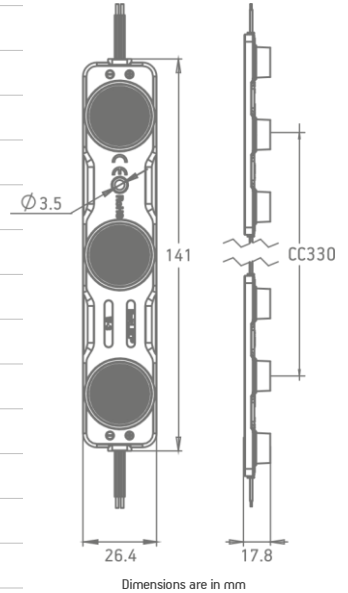


CROWN DUO W3



GENERAL SPECIFICATIONS

| | |
|-----------------------|---------------------------|
| SUPPLY VOLTAGE | 24 VDC |
| POWER | 3.6 W |
| CRI | 80 |
| RECOMMENDED DEPTH | From 140 to 250 mm |
| CC DISTANCE | 330 mm |
| BINNING | 5 SDCM |
| OPERATING TEMPERATURE | -20 °C ~ +50 °C |
| STORAGE TEMPERATURE | -30 °C ~ +60 °C |
| STORAGE CONDITIONS | Relative humidity <60% |
| CERTIFICATION | CE, RoHS and UL compliant |
| IP CLASS | IP 66 |
| LIFETIME | L80 50,000 h |
| WARRANTY | 5 years* |



*Warranty is applied only and if storage, mounting and maintenance conditions, stated in the installation guide, are followed.

ITEM DESCRIPTION

Crown DUO W3 is best for the illumination of shallow and medium depth (140-250mm) double-sided lightboxes. Equipped with advanced optic lenses these modules ensure uniform and bright illumination on different materials, like acrylic glass or textile of up to 2.5-meter height LED boxes. Thanks to the 24V system, more modules can be connected into one chain reducing voltage drops on long chains. Thus, giving availability to reduce electrical connections.

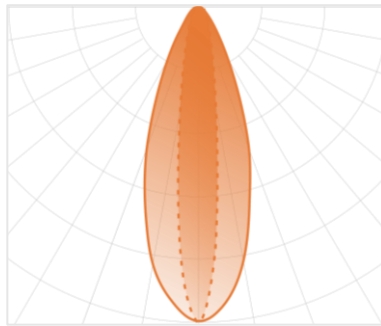
APPLICATION

- Double-sided light boxes with depth ranging from 140 to 250 mm
- Maximum height of light box 2 500 mm
- Bus shelters, billboards

FEATURES & BENEFITS

- 5-year warranty
- Integrated CC controller
- IP66 protection class
- Special optimised elliptical lens 15x45
- CRI 80
- 24 V solution

LIGHT DISTRIBUTION GRAPH



Beam angle: 15x45°

ORDERING INFORMATION

| PRODUCT NAME | POWER, W | LUMEN OUTPUT, LM | COLOUR TEMP. |
|------------------|----------|------------------|--------------|
| BMP-W3-DS865E3.6 | 3.6 | 300 | 6500 K |

| CHAIN | BAG | BOX |
|--------------------------------|--------------------------------|---------------------------------|
| 10 pcs (net weight: ~0.055 kg) | 10 pcs (net weight: ~0.056 kg) | 320 pcs (net weight: ~17.92 kg) |