

CROWN OPTO S0



ITEM DESCRIPTION

Crown OPTO S0 is a really good option for illuminating low-depth letters and lightboxes ranging from 40 to 80 mm in depth. These modules come with L70 50 000 h lifetime, granting 5 years warranty. Crown OPTO S0 – a great option for low depth projects when economical, although quality solution is needed.

APPLICATION

- Channel letters signs and light boxes
- Recommended depth 40 – 80 mm

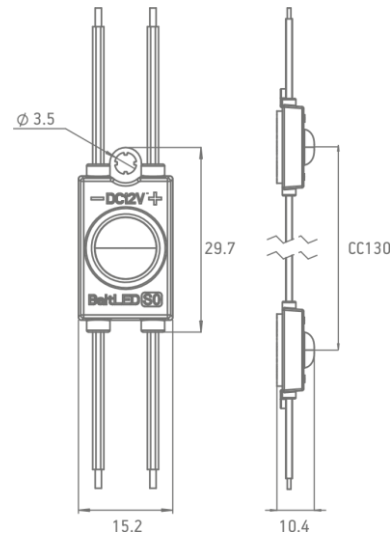
FEATURES & BENEFITS

- Compact design
- Efficiency up to 109 lm/W
- IP67 protection class
- White, red, green and blue colours are available
- 5 year warranty

GENERAL SPECIFICATIONS

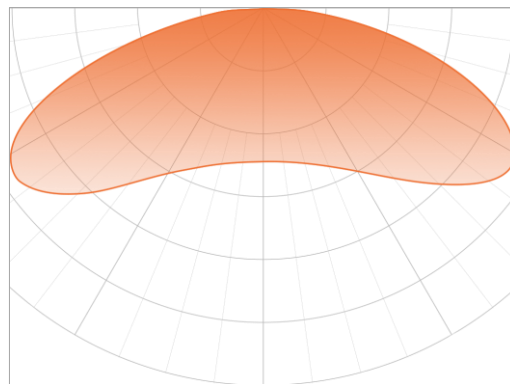
SUPPLY VOLTAGE	12 VDC
POWER	0.35 W
RECOMMENDED DEPTH	From 40 to 80 mm
CC DISTANCE	130 mm
BINNING	3 SDCM
OPERATING TEMPERATURE	-30 °C ~ +50 °C
STORAGE TEMPERATURE	+5 °C ~ +70 °C
STORAGE CONDITIONS	Relative humidity <60%
CERTIFICATION	CE and RoHS compliant
IP CLASS	IP 67
LIFETIME	L70 50,000 h
WARRANTY	5 years (24/7)*

*Warranty is applied only and if storage, mounting and maintenance conditions, stated in the installation guide, are followed.



* Dimensions are in mm

LIGHT DISTRIBUTION GRAPH



Beam angle: 160°

ORDERING INFORMATION

SKU	POWER	LUMEN OUTPUT, LM	COLOUR TEMP.	STATUS
BMP-S0-01UH160CW651	0.35	38	6600 K	IN STOCK
BMP-S0-01UH160CW652	0.35	38	6500 K	IN STOCK
BMP-S0-01UH160NW401	0.35	37	4000 K	IN STOCK
BMP-S0-01UH160WW301	0.35	37	3000 K	IN STOCK
BMP-S0-01UH160RC	0.35	15	red	IN STOCK
BMP-S0-01UH160GC	0.35	25	green	IN STOCK
BMP-S0-01UH160BC	0.35	6	blue	IN STOCK

** Pre-order products will be available only with MOQ from 3000 EUR, lead time 3 – 8 weeks. For precise lead time, contact your Customer Service manager.

CHAIN	BAG	BOX
70 pcs (net weight: 0.375 kg)	140 pcs (net weight: 0.745 kg)	1400 pcs (net weight: 8.000 kg)