

RGB | RGBW



ITEM DESCRIPTION

Our new RGB module enables You to sleep soundly for 5 years. Efficient and bright led together with good optics, lets you put much less modules to achieve bright and colourful sign illumination.

APPLICATION

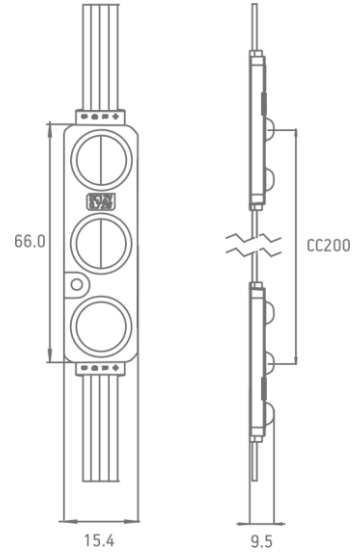
- Channel letters signs and light boxes
- Recommended depth 60-150 mm

FEATURES & BENEFITS

- 5 years warranty
- RGB and RGBW options
- IP65 protection class

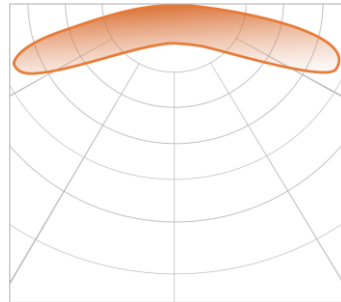
GENERAL SPECIFICATIONS

SUPPLY VOLTAGE	12 VDC
POWER, W	0.72 W
CRI	80 (RGBW)
OPTICS	160°
RECCOMENDED DEPTH	60-150 mm
CC DISTANCE	200 mm
COLOUR / CCT	RGB and RGBW
OPERATING TEMPERATURE	-25 °C ~ +55 °C
STORAGE TEMPERATURE	-40°C ~ +85 °C
CERTIFICATION	CE compliant
IP CLASS	IP65
LIFETIME	L70 50,000 h
WARRANTY	5 years



* Dimensions are in mm

LIGHT DISTRIBUTION GRAPH



Beam angle 160°

ORDERING INFORMATION

SKU	POWER, W	LUMEN OUTPUT, LM	TYPICAL BRIGHTNESS OF				STATUS
			red	green	blue	white	
BMOP-RGB-LE3A160E072	0.72	29	8	16	5	-	IN STOCK
BMOP-RGBW-LE3A160E072	0.72	49	6	18	5	20	IN STOCK

* Pre-order products will be available only with MOQ from 100 pcs., lead time 3-4 weeks. For precise lead time, contact your Customer Service manager.

CHAIN	BAG	BOX
20 pcs (0.34 kg)	100 pcs (1.7 kg)	1000 pcs (18.0 kg)