

5 YEARS WARRANTY

# GULL LUMINAIRES INSTALLATION GUIDE

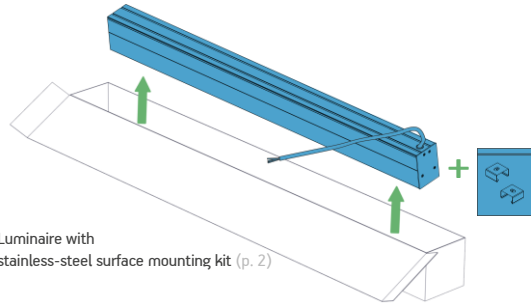
READ THE INSTRUCTIONS CAREFULLY BEFORE STARTING

IP20

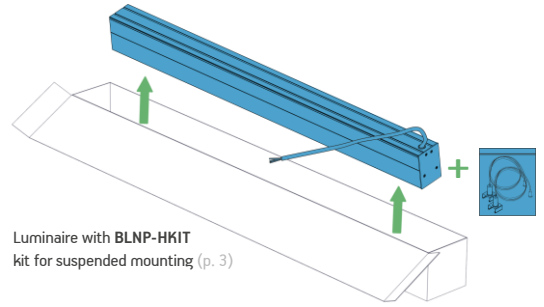
RoHS Compliant



## INSIDE THE BOX

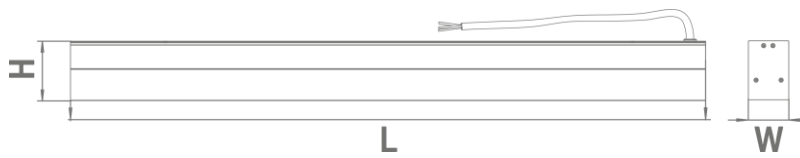


Luminaire with stainless-steel surface mounting kit (p. 2)



Luminaire with BLNP-HKIT kit for suspended mounting (p. 3)

## NEEDED FOR MOUNTING



| L, mm | W, mm | H, mm |
|-------|-------|-------|
| 1200  | 57.5  | 75    |

## WARNING

**! Turn power off before inspection, installation or removal.**

- Properly ground electrical enclosure.
- Perform installation in dry location only.
- Luminaire may fall down if not installed properly.
- Avoid direct eye exposure to the light source while it is on.
- For indoor use only.
- Do not operate luminaire with damaged parts.
- To prevent wiring damage or abrasion, do not expose wiring to edges of sheet metal or other sharp objects.

- The manufacturer shall not be liable for any damage resulting from inappropriate modifications to the luminaire or faulty installation.

*If you have any questions, contact the manufacturer.*

5 YEARS WARRANTY

# GULL LUMINAIRES INSTALLATION GUIDE

IP20

## 1. MOUNTING

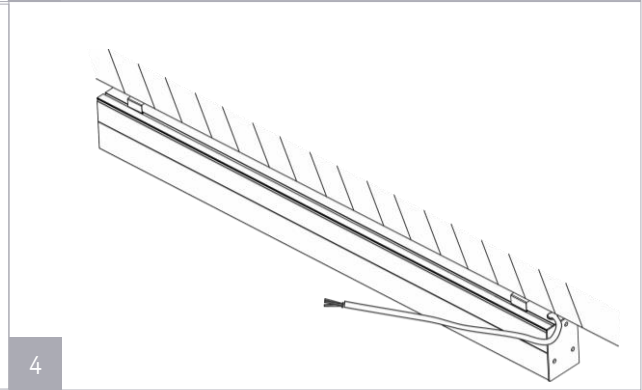
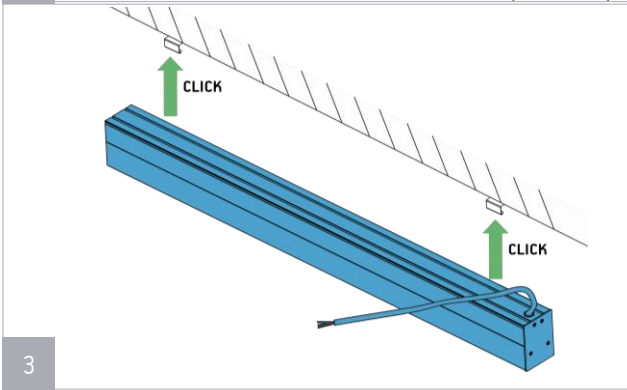
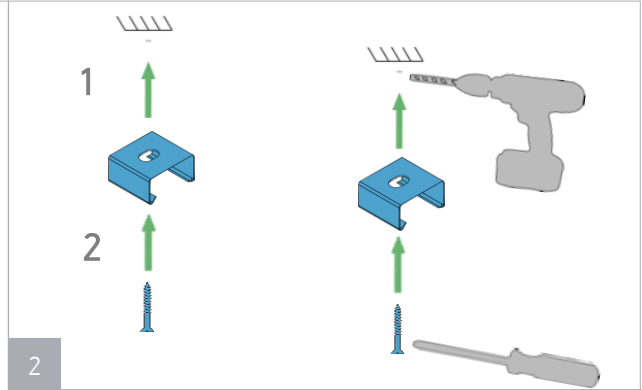
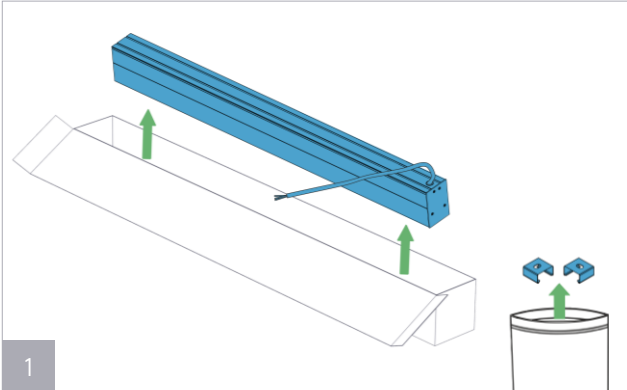
RoHS Compliant

### 1.1. SURFACE MOUNTING

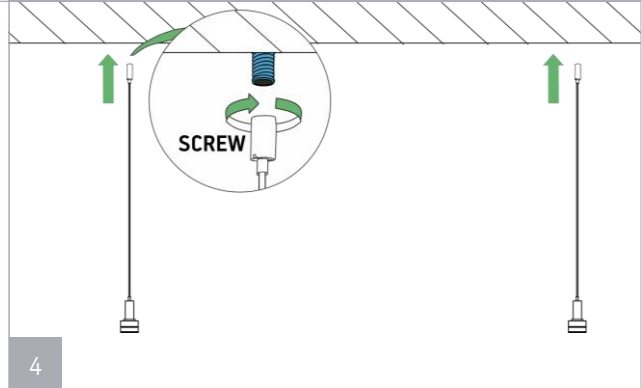
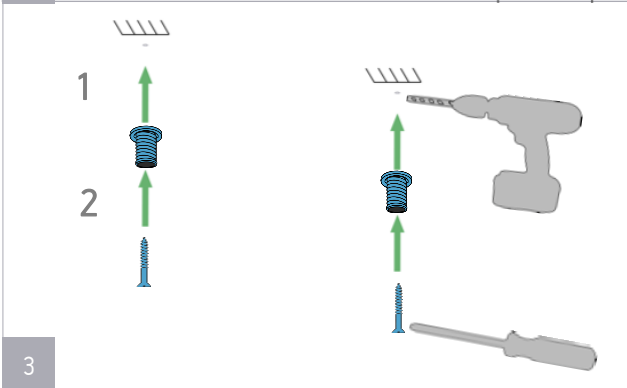
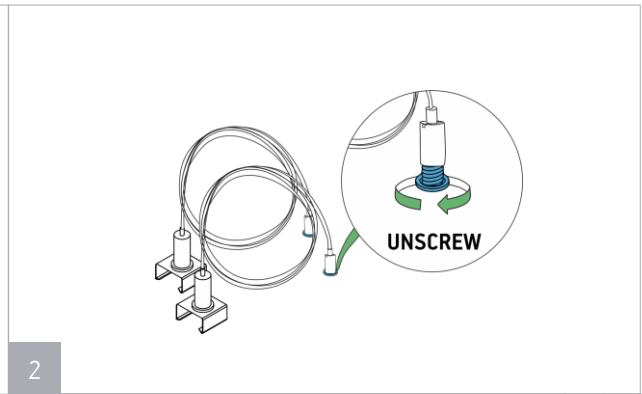
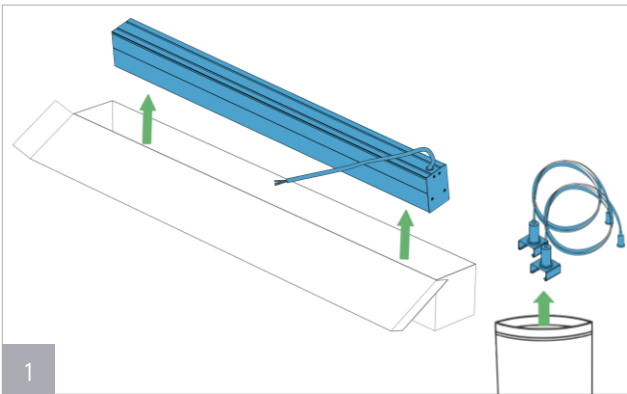
CE

RoHS Compliant

F



### 1.2. SUSPENDED MOUNTING



© 2021, All rights reserved BaltLED, UAB. Specifications are subject to change without notice.

5 YEARS WARRANTY

# GULL LUMINAIRES INSTALLATION GUIDE

IP20

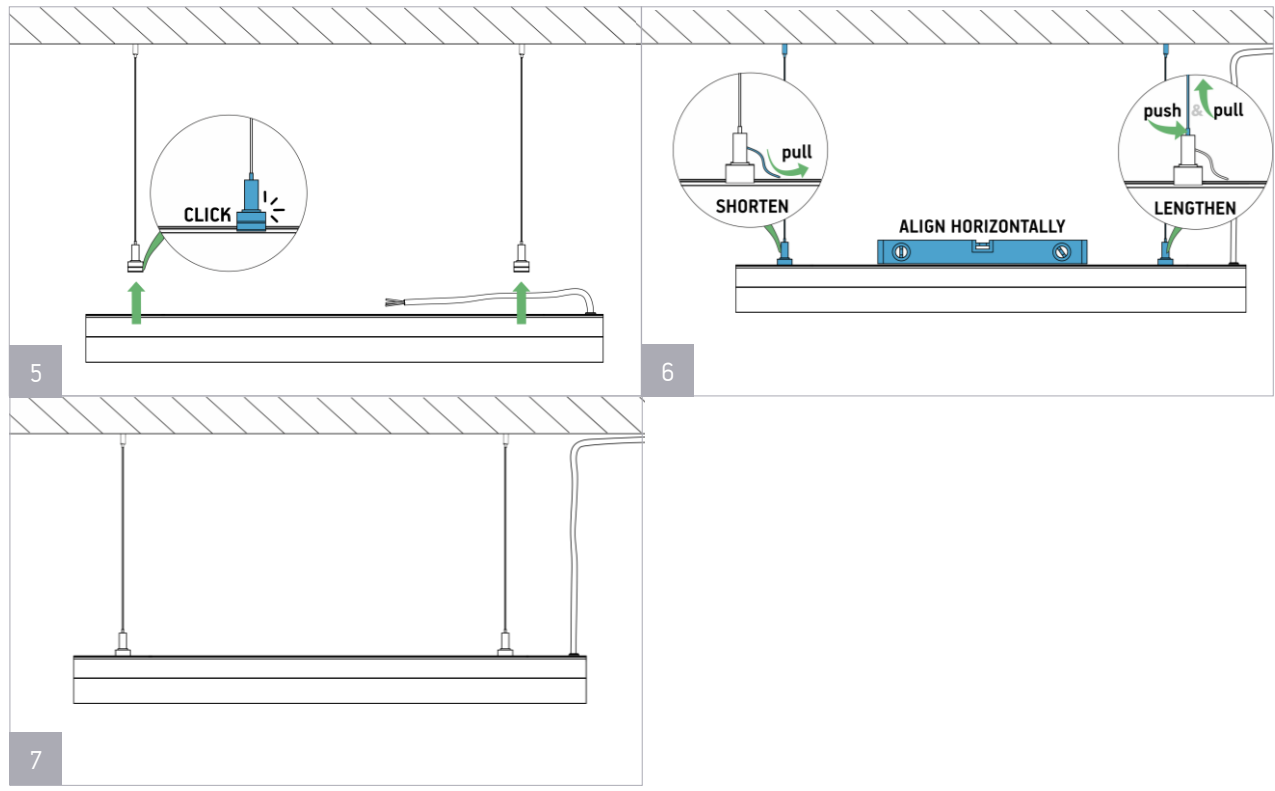
## 1.2. SUSPENDED MOUNTING

RoHS Compliant

CE

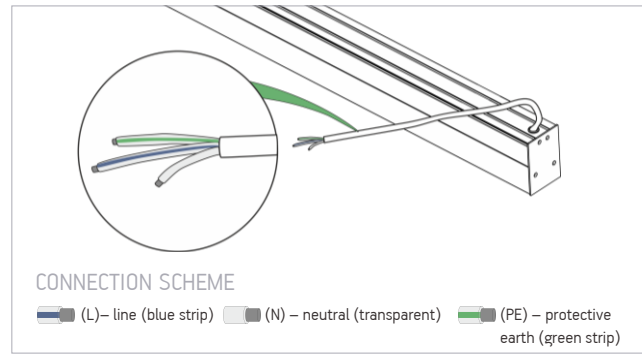
WEEE

F

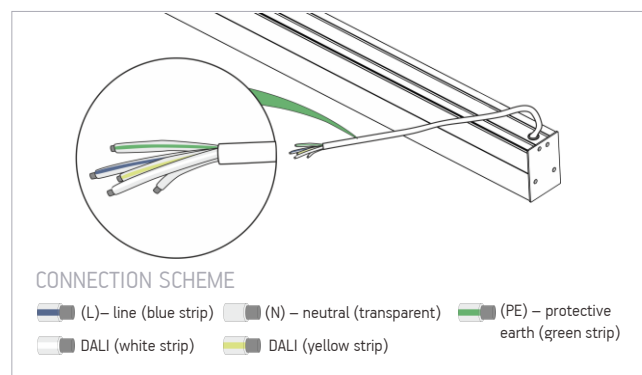


## 2. CONNECTION

### 2.1. STANDARD CONNECTION



### 2.2. DALI CONNECTION



## QUANTITY OF LUMINAIRES PER CIRCUIT BREAKER

| SKU                     | LUMINAIRE QTY PER 16A TYPE C CIRCUIT BREAKER |
|-------------------------|----------------------------------------------|
| BLNP-U-120A90840P20     |                                              |
| BLNP-U-120A90840P20-DA  |                                              |
| BLNP-U-120A90840P24     |                                              |
| BLNP-U-120A90840P24-DA  |                                              |
| BLNP-U-120A90840P28     |                                              |
| BLNP-U-120A90840P28-DA  |                                              |
| BLNP-M-120A120840P20    |                                              |
| BLNP-M-120A120840P20-DA |                                              |
| BLNP-M-120A120840P26    |                                              |
| BLNP-M-120A120840P26-DA |                                              |
| BLNP-M-120A120840P32    |                                              |
| BLNP-M-120A120840P32-DA |                                              |

© 2021, All rights reserved BaltLED, UAB. Specifications are subject to change without notice.