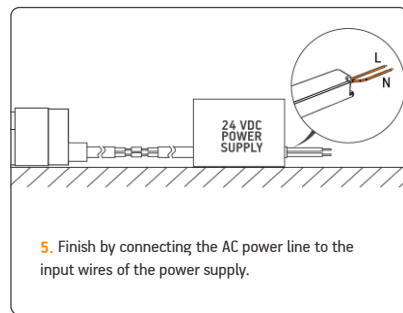
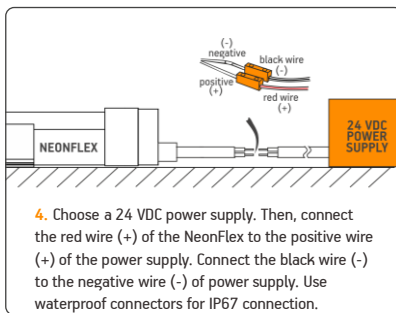
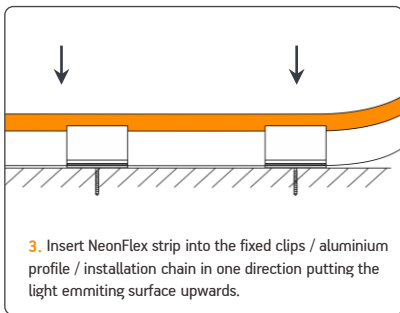
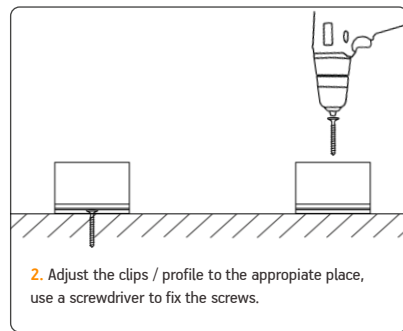
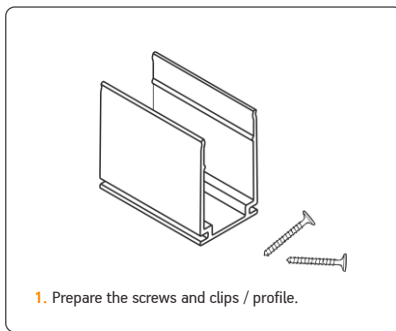
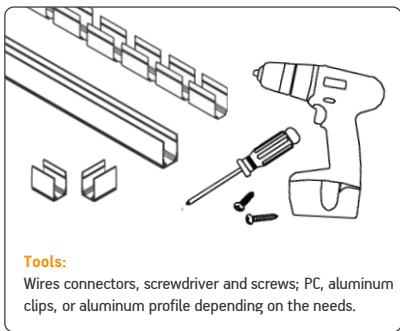


# NEONFLEX installation guide

FOR LONG-LASTING PERFORMANCE

FOR LONG-LASTING PERFORMANCE



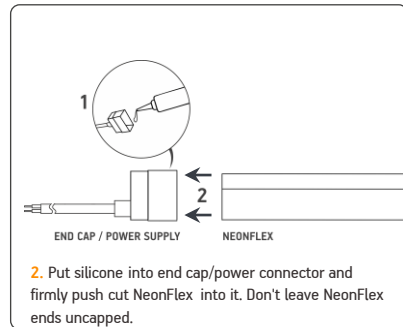
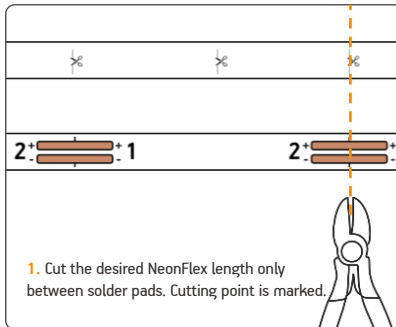
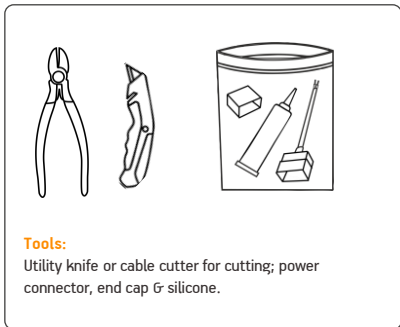
**MAKE SURE TO:**

- ✓ Only bend in recommended directions (side bending / convex (top) bending )
- ✓ Make a clean vertical cut when cutting NeonFlex to avoid damage.
- ✓ Leave 5-10mm distance between individual strips of NeonFlex.

**BE CAREFUL:**

- ✗ Do not twist NeonFlex.
- ✗ Do not bend the NeonFlex very aggressively.
- ✗ Do not hang or suspend NeonFlex in air.
- ✗ Do not exceed max continuous strip length.
- ✗ Do not exceed max bending diameter.

## CUTTING NEONFLEX



## SAFETY PRECAUTIONS:

- Be sure to install LED NeonFlex in maintainable places.
- Avoid using excessive force during installation in order to minimize the risk of damage to LED NeonFlex or cabling.
- Be careful not to go beyond the recommended maximum quantities of LED NeonFlex for a given power supply. Overload may cause blinking, uneven illumination or failure.
- These LED NeonFlex are designed to work with constant-voltage power supplies. Use only recommended power supplies. Do not connect to constant-current power supplies, as doing so will cause immediate failure of LED NeonFlex .
- Please install LED NeonFlex using appropriate appliance wiring material and cables.
- Make sure to provide sufficient ventilation and rainwater drainage for the installation containing the LED NeonFlex to prevent shortening their lifetime due to excess heat, long-term exposure to water or ice damage. Operating temperature should be within -20~60 °C.

5  
YEARS  
WARRANTY

IP67

RoHS  
Compliant

CE



# NEONFLEX installation guide

FOR LONG-LASTING PERFORMANCE

## SAFETY PRECAUTIONS:

- When fixing the cabling of the installation avoid using metal cable ties or brackets – they may damage the cable insulation and cause short-circuits.
- In order to prevent LED breakdown caused by static discharge make sure not to touch the wiring of the LED NeonFlex with bare hands.
- Make sure to check the module connections for the correct polarity. Reversed connections may lead to failure.
- Do not pull on the wiring while removing the LED NeonFlex – risk of damage.
- Do not install LED NeonFlex under direct sunlight or falling water – premature failure may occur.
- Installation of Neonflex must be carried out by a qualified technician in accordance to relevant electrical equipment handling standards.

## INSTALLATION RECOMMENDATIONS

- Installation of LED NeonFlex must be carried out by a qualified technician in accordance to relevant electrical equipment handling standards.
- Before installing make sure that the fixing area can bear the total weight of the LED NeonFlex .
- LED NeonFlex and power supplies have absolute maximum ratings. Comply with the specifications to avoid failure, damage and injury.
- Do not modify LED NeonFlex . This may lead to damage, injury and will void the warranty.
- Do not connect LED NeonFlex to a power supply that is turned on! Injury and LED NeonFlex failure may occur. If a power supply is turned on with no load (for example because of a bad connection), turn the power supply off and allow 5 minutes for it to fully discharge before continuing work on the installation.
- Avoid placing any high temperature objects around the LED NeonFlex . Also avoid putting cloth or paper on the LED NeonFlex . It may lead to combustion, burnout, overheat, deformation or other failure.
- Before performing maintenance, turn off the power and allow the LED NeonFlex to cool down. Otherwise there is danger of burns or electric shock.
- Do not wipe or spray LED NeonFlex with volatile materials such as thinner or benzene as it may lead to damage or spontaneous combustion.
- If there are any signs of smoke or there is a smell of burnt plastic, turn off power to the installation immediately and investigate the power supply and wiring carefully.
- Ensure that power supply and other system components are properly earthed if using Class 0 or Class I power supplies
- Be sure to install led strips in maintainable places.

## STORAGE AND GENERAL REMARKS

- Make sure to store LED NeonFlex in a dry place, avoid elevated temperatures, high pressures, vibrations, corrosive or combustible materials, direct sunlight.
- LED NeonFlex cannot be used in combination with other types of LED NeonFlex . This may cause colour and brightness mismatches and lead to premature failure.
- Please ensure that the materials and components used in the installation do not contain or emit sulphuric compounds. Sulphuric compounds attack the LED NeonFlex components and may lead to changes in colour and premature failure.
- Make sure to keep records of the lot numbers and installation dates of the LED NeonFlex .