

5 YEARS WARRANTY

SEAGULL INSTALLATION GUIDE

READ THE INSTRUCTIONS CAREFULLY BEFORE STARTING

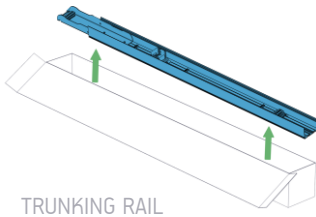
IP40

RoHS Compliant

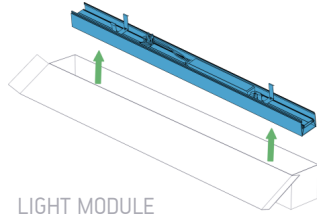


INSIDE THE BOXES

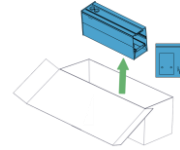
NEEDED FOR MOUNTING



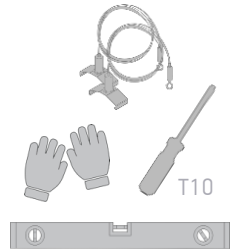
TRUNKING RAIL



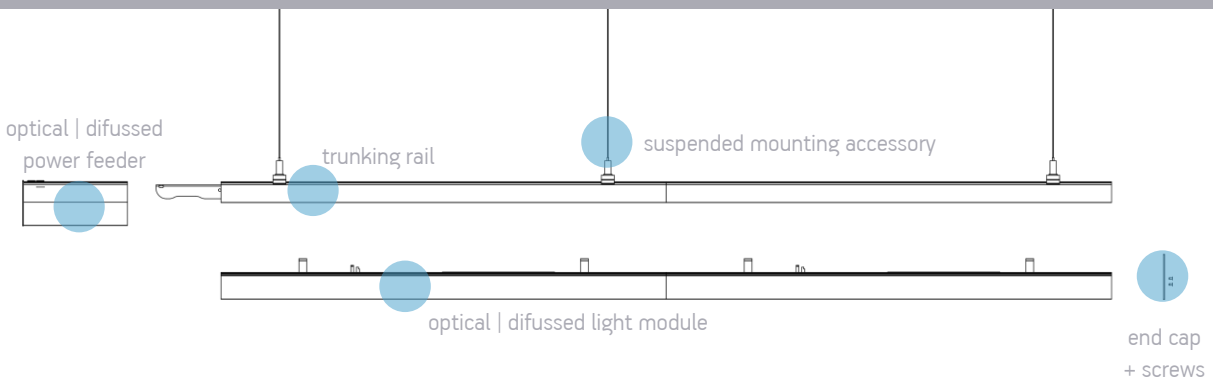
LIGHT MODULE



POWER FEEDER+
end cap and screws



LINEAR TRUNKING LED LIGHTING SYSTEM



TRUNKING RAIL DIMENSIONS

L, mm	W, mm	H, mm
857 2571 4285	57.5	40.0

LIGHT MODULE DIMENSIONS

LIGHT MODULE	L, mm	W, mm	H, mm
Optical	857 1714	57.5	41.5
Difussed	857 1714	57.5	51.5

POWER FEEDER DIMENSIONS

FEEDER	L, mm	W, mm	H, mm
Optical	202	57.5	75.5
Difussed	202	57.5	85.5

WARNING

! Turn power off before inspection, installation or removal.

- Installation should be performed only by qualified electrician.
- Properly ground electrical enclosure.
- Perform installation in dry location only.
- Luminaire may fall down if not installed properly.
- Avoid direct eye exposure to the light source while it is on.
- For indoor use only.
- Do not operate luminaire with damaged parts.
- The manufacturer shall not be liable for any damage resulting from inappropriate modifications to the luminaire or faulty installation.

If you have any questions, contact the manufacturer.

5 YEARS WARRANTY

SEAGULL INSTALLATION GUIDE

IP40

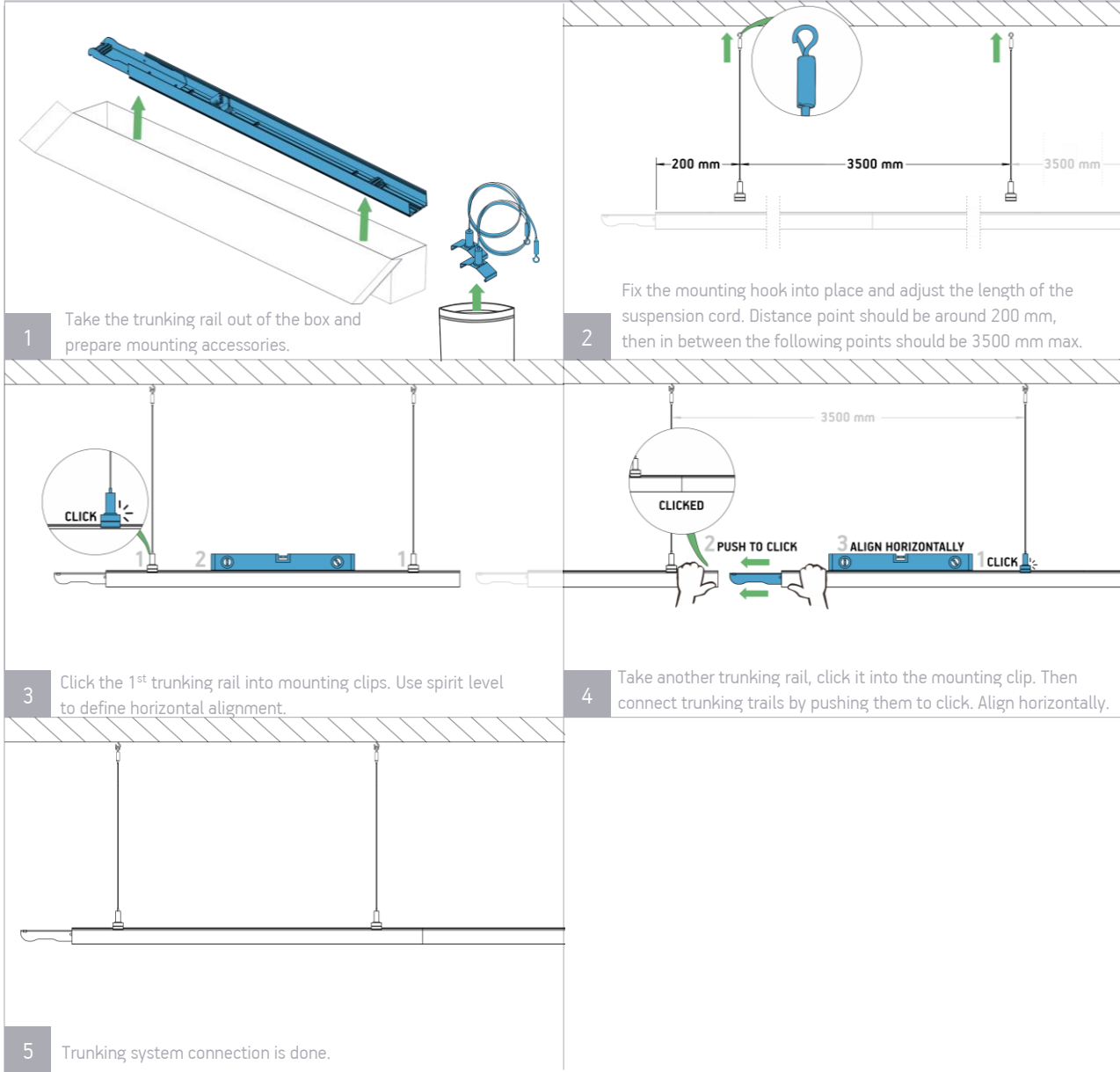
RoHS Compliant

CE

WEEE

F

1. TRUNKING



5 YEARS WARRANTY

SEAGULL INSTALLATION GUIDE

IP40

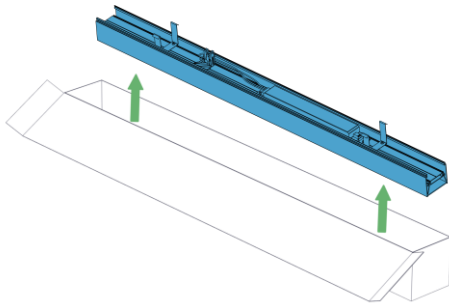
RoHS Compliant

CE

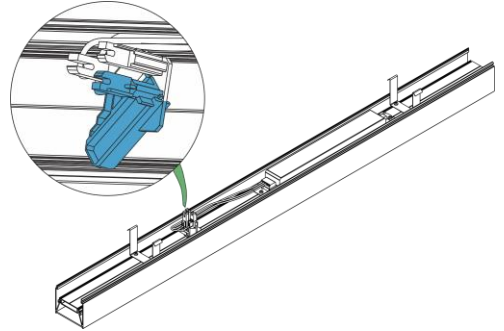
WEEE

F

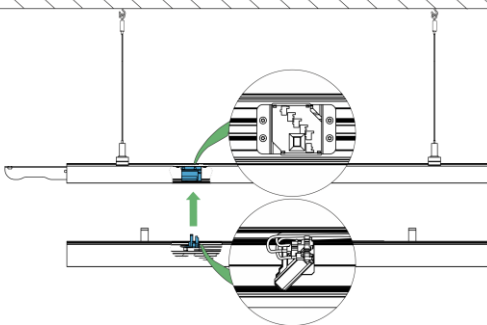
2. LIGHT MODULE



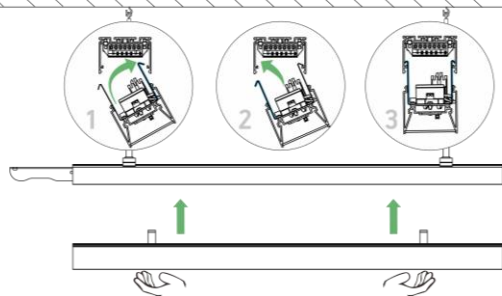
1 Take the module out of the box.



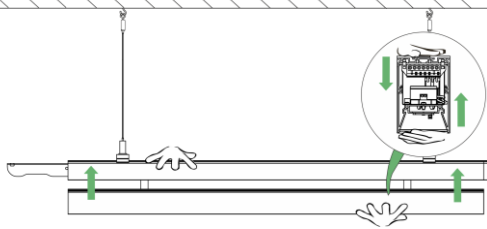
2 Slide knob to select phase L1 | L2 | L3 | L4 | L5 (modules can come with 3 or 5 phases).



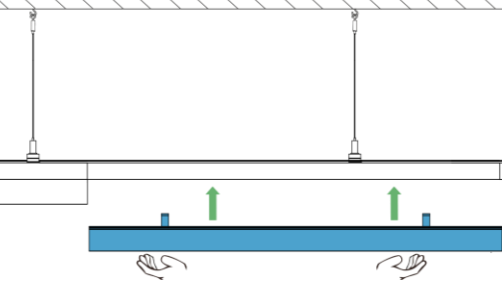
3 Before clicking the module into trunking rail, make sure male and female connectors are in the right position.



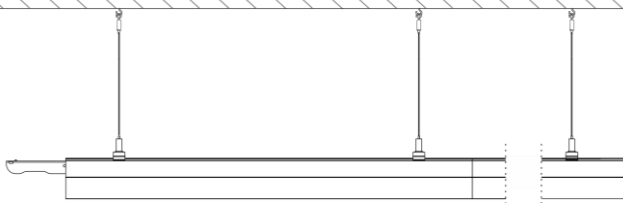
4 Rotate the module to hang the further safety springs on the trunking rail. Then rotate the module back to hang the rest safety springs on the trunking rail.



5 Click the module into trunking rail by holding module with one hand and trunking rail with another.



6 Click in all the light modules and blackouts (if any) according to the previous steps.



7 Light modules connection is done.

5 YEARS WARRANTY

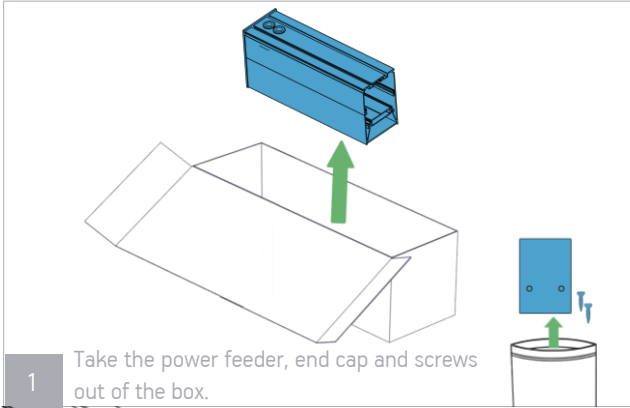
SEAGULL INSTALLATION GUIDE

IP40

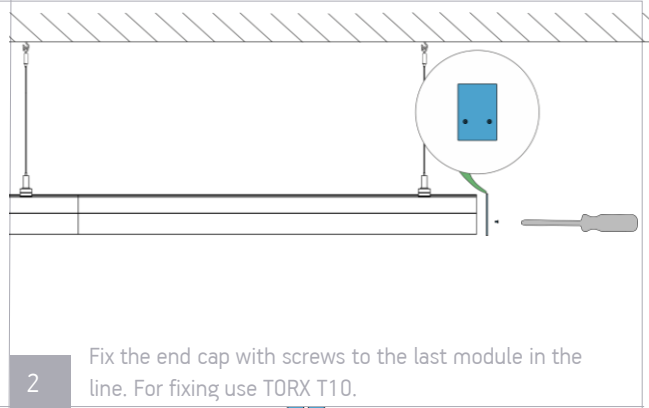
RoHS Compliant



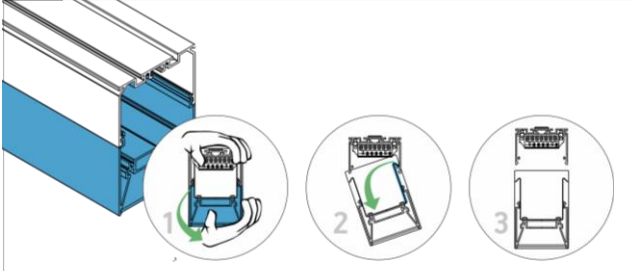
3. CONNECTING FEEDER



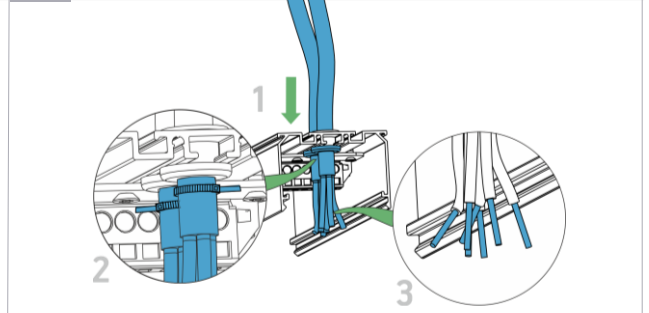
1 Take the power feeder, end cap and screws out of the box.



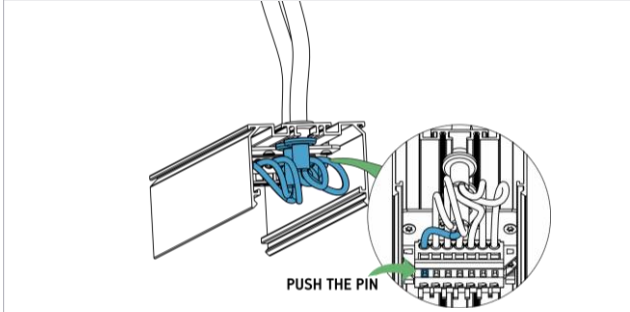
2 Fix the end cap with screws to the last module in the line. For fixing use TORX T10.



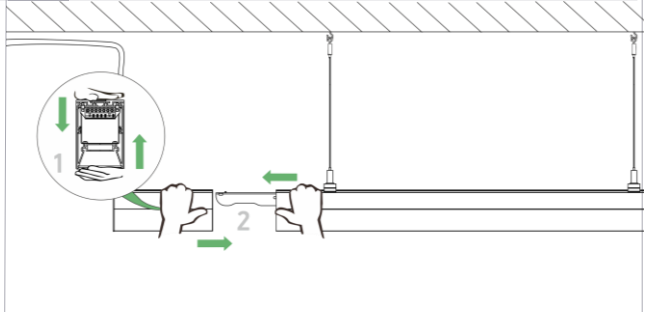
3 Separate power feeder. Hold the trunking firmly with one hand and with another rotate the light module until the safety springs clicks out.



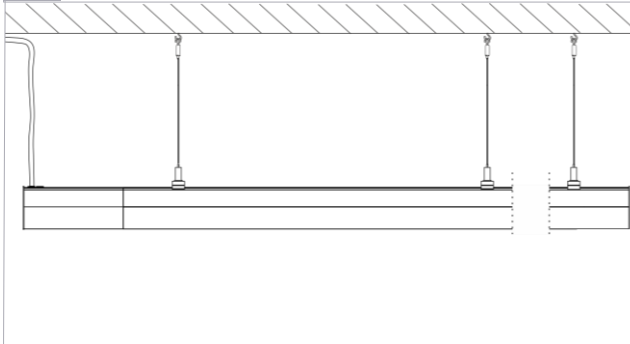
4 Put the input cable through the top of the feeder and secure it with cable tie. Strip the wires.



5 Push each terminal's pin while putting in the wires to appropriate terminal block's line.



6 Join the power feeder. Then connect the joined power feeder with the trunking system (hands on the top) by pushing each other until it clicks.



7 Seagull lighting system is ready to use.

QUANTITY OF LUMINAIRES PER CIRCUIT BREAKER

POWER, W	LUMINAIRE QTY PER 16A TYPE C CIRCUIT BREAKER	LUMINAIRE QTY PER 25A TYPE C CIRCUIT BREAKER
20	70	100
42	38	57
65	35	42
82	27	39
100	25	37
115	25	37