

5 YEARS WARRANTY

IP65

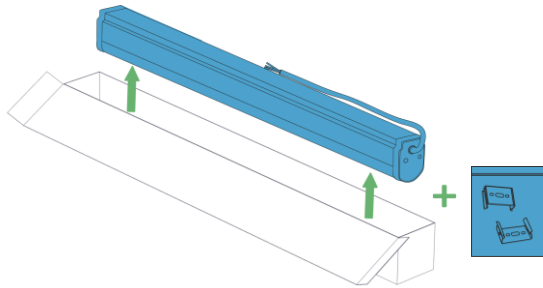
RoHS Compliant



# TRERON LUMINAIRES INSTALLATION GUIDE

READ THE INSTRUCTIONS CAREFULLY BEFORE STARTING

INSIDE THE BOX

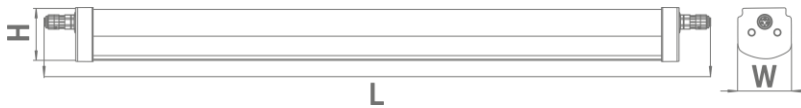


NEEDED FOR MOUNTING



STANDARD VERSION

L, mm	W, mm	H, mm
600 / 1200	51	53



LINKABLE VERSION

L, mm	W, mm	H, mm
609 / 1209	51	53

## WARNING

**! Turn power off before inspection, installation or removal.**

- Properly ground electrical enclosure.
- Perform installation in dry location only.
- Luminaire may fall down if not installed properly.
- Avoid direct eye exposure to the light source while it is on.
- For indoor use only.
- Do not operate luminaire with damaged parts.
- To prevent wiring damage or abrasion, do not expose wiring to edges of sheet metal or other sharp objects.

- The manufacturer shall not be liable for any damage resulting from inappropriate modifications to the luminaire or faulty installation.

*If you have any questions, contact the manufacturer.*

5 YEARS WARRANTY

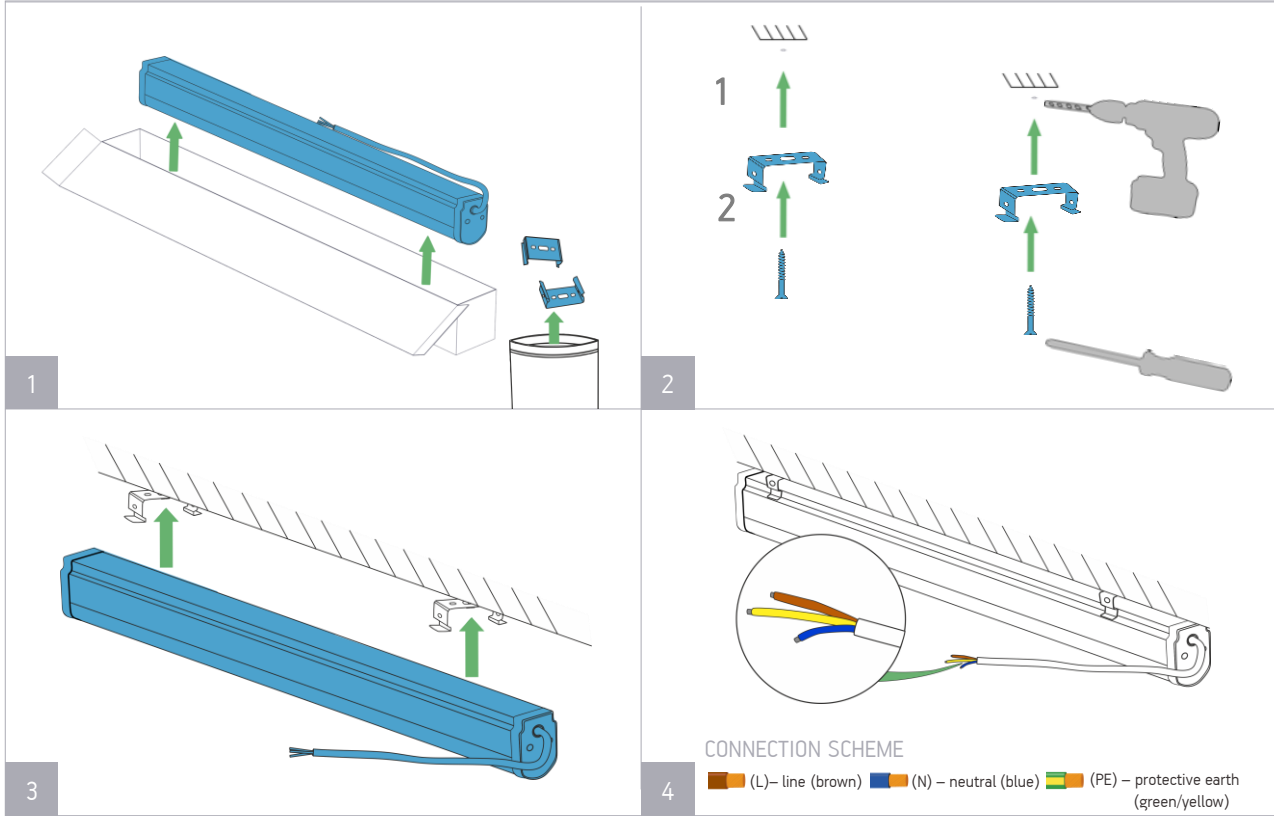
IP65

RoHS Compliant



# TRERON LUMINAIRES INSTALLATION GUIDE

## 1. STANDARD CONNECTION



5 YEARS WARRANTY

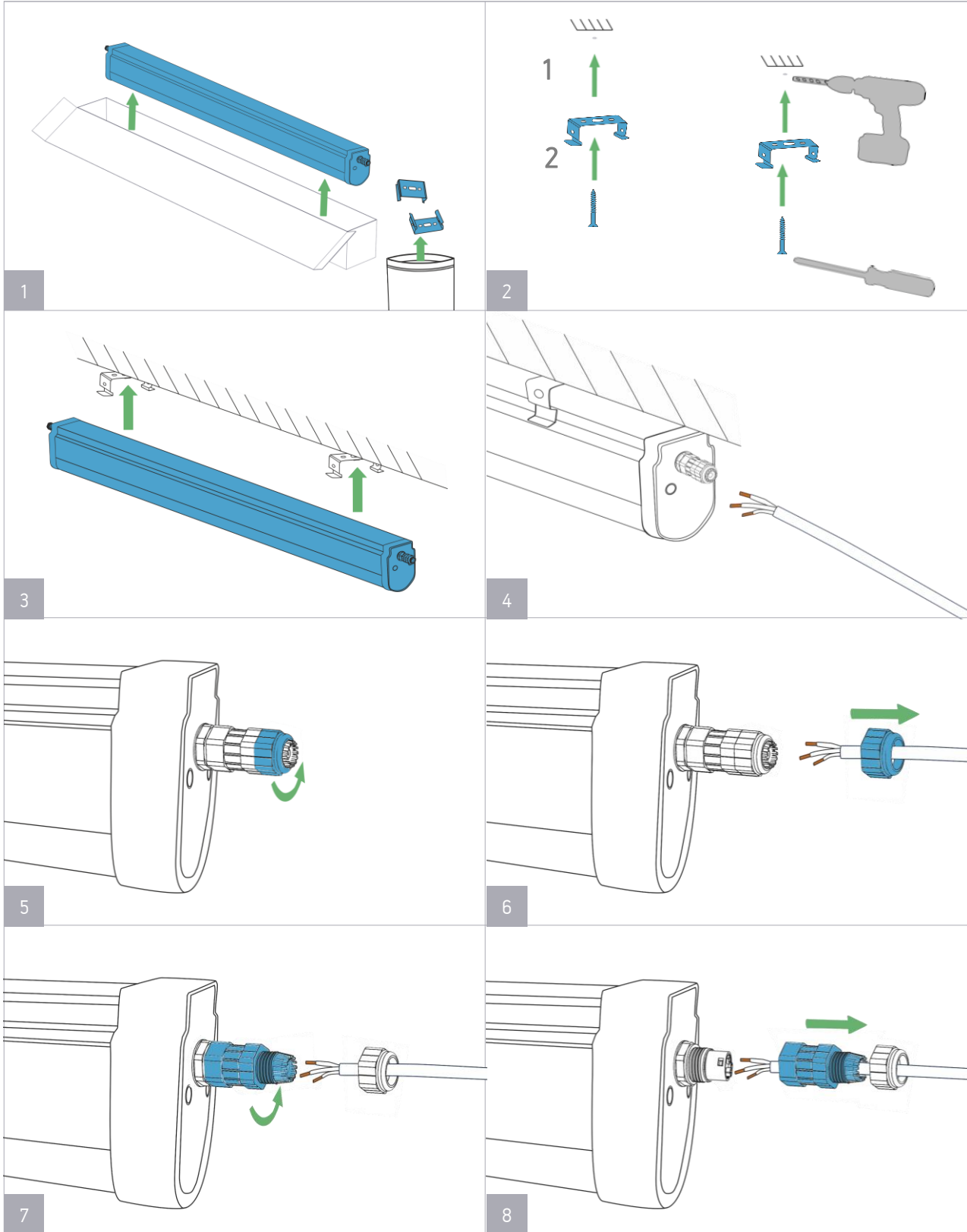
# TRERON LUMINAIRES INSTALLATION GUIDE

IP65

RoHS Compliant



## 2. LINKABLE CONNECTION



© 2020, All rights reserved BaltLED, UAB. Specifications are subject to change without notice.

5 YEARS WARRANTY

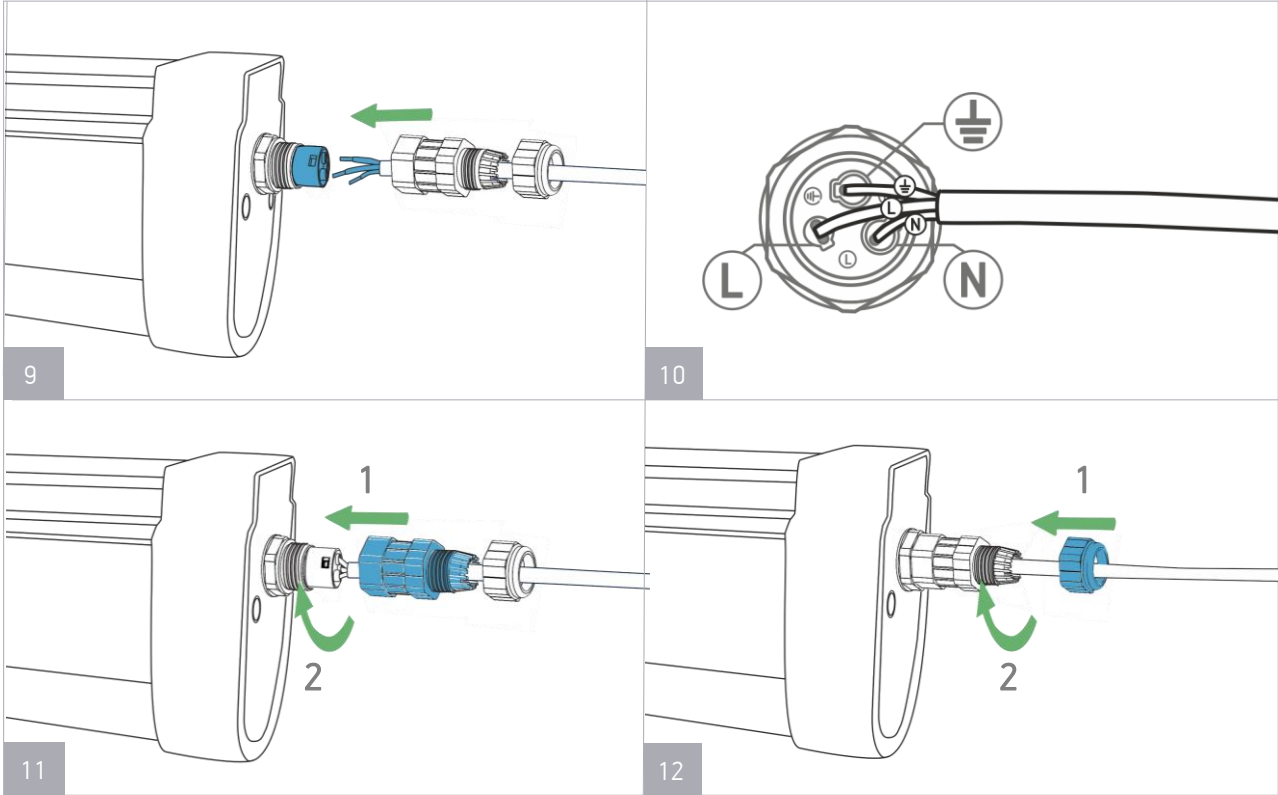
# TRERON LUMINAIRES INSTALLATION GUIDE

IP65

RoHS Compliant



## 2. LINKABLE CONNECTION



## QUANTITY OF LUMINAIRES PER CIRCUIT BREAKER

SKU	LUMINAIRE QTY PER 16A TYPE C CIRCUIT BREAKER
BWLP-BL-060A120840E16	210
BWLP-BL-060A120840E16-TR	210
BWLP-BL-060A120840E20	160
BWLP-BL-060A120840E20-TR	160
BWLP-BL-120A120840E24	130
BWLP-BL-120A120840E24-TR	130
BWLP-BL-120A120840E32	100
BWLP-BL-120A120840E32-TR	100
BWLP-BL-120A120840E40	80
BWLP-BL-120A120840E40-TR	80

© 2020, All rights reserved BaltLED, UAB. Specifications are subject to change without notice.