



ITEM DESCRIPTION

Our new RGB module enables You to sleep soundly for 5 years. Efficient and bright led together with good optics, lets you put much less modules to achieve bright and colourful sign illumination.

APPLICATION

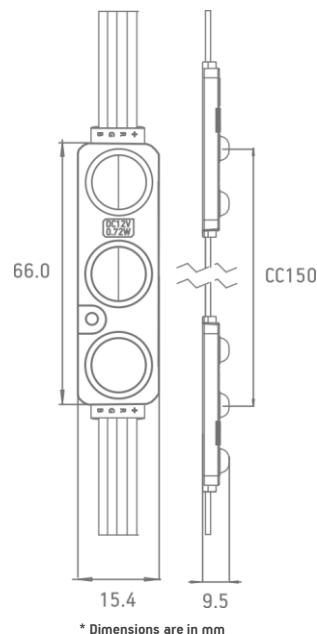
- Channel letters signs and light boxes
- Recommended depth 60-150mm

FEATURES & BENEFITS

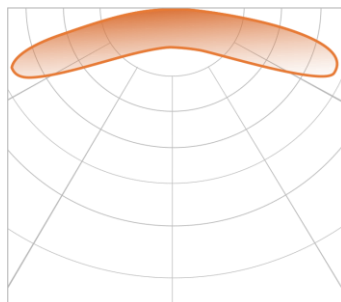
- 5 years warranty
- RGB and RGBW options
- IP65 protection class

GENERAL SPECIFICATIONS

| | |
|-----------------------|-----------------|
| SUPPLY VOLTAGE | 12 VDC |
| POWER, W | 0.72 W |
| CRI | 80 (RGBW) |
| OPTICS | 160° |
| RECCOMENDED DEPTH | 60-150 mm |
| CC DISTANCE | 150 mm |
| COLOUR / CCT | RGB and RGBW |
| OPERATING TEMPERATURE | -25 °C ~ +55 °C |
| STORAGE TEMPERATURE | -40°C ~ +85 °C |
| CERTIFICATION | CE compliant |
| IP CLASS | IP65 |
| LIFETIME | L70 50,000 h |
| WARRANTY | 5 years |



LIGHT DISTRIBUTION GRAPH



Beam angle 160°

ORDERING INFORMATION

| SKU | POWER, W | LUMEN OUTPUT, LM | TYPICAL BRIGHTNESS OF | | | | STATUS |
|-----------------------|----------|------------------|-----------------------|-------|------|-------|------------|
| | | | red | green | blue | white | |
| BMOP-RGB-LE3A160E072 | 0.72 | 29 | 8 | 16 | 5 | - | PRE-ORDER* |
| BMOP-RGBW-LE3A160E072 | 0.72 | 49 | 6 | 18 | 5 | 20 | PRE-ORDER* |

* Pre-order products will be available only with MOQ from 100 pcs., lead time 3-4 weeks. For precise lead time, contact your Customer Service manager.

| CHAIN | BAG | BOX |
|------------------|------------------|--------------------|
| 20 pcs (0.34 kg) | 100 pcs (1.7 kg) | 1000 pcs (18.0 kg) |