

5 YEARS WARRANTY

EDGELIT LED BAR installation guide

READ THE INSTRUCTIONS CAREFULLY BEFORE MOUNTING

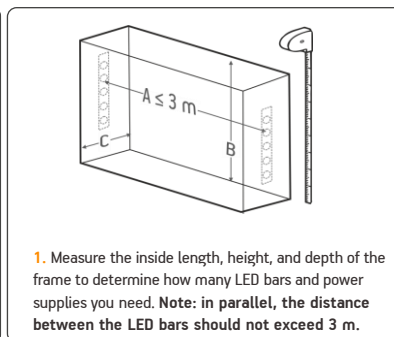
IP67
IP20

RoHS
Compliant

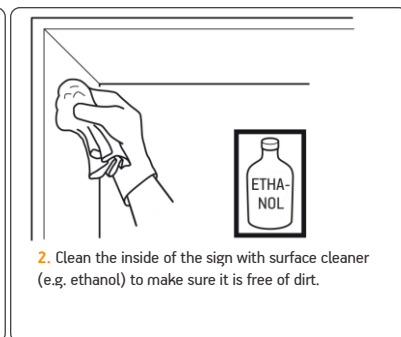
CE



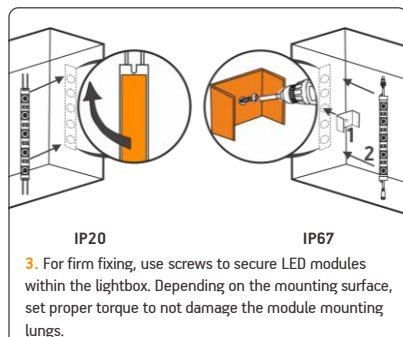
Tools required. Wires, wire strippers, drill, screwdriver, screws, surface cleaner, wire connectors and end caps.



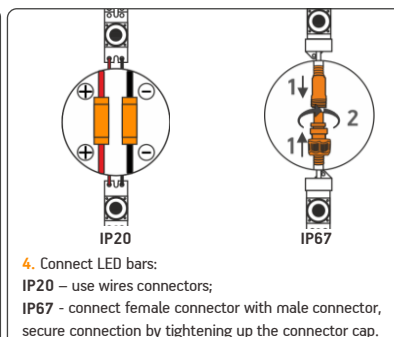
1. Measure the inside length, height, and depth of the frame to determine how many LED bars and power supplies you need. **Note: in parallel, the distance between the LED bars should not exceed 3 m.**



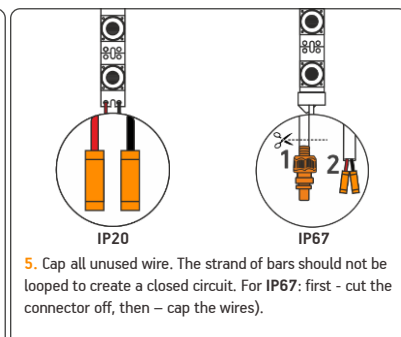
2. Clean the inside of the sign with surface cleaner (e.g. ethanol) to make sure it is free of dirt.



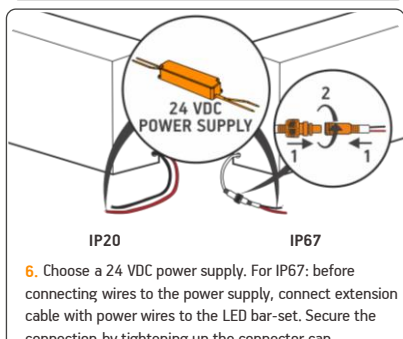
3. For firm fixing, use screws to secure LED modules within the lightbox. Depending on the mounting surface, set proper torque to not damage the module mounting lugs.



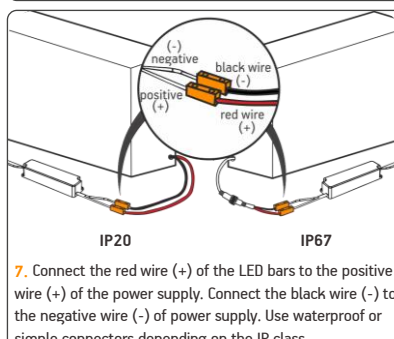
4. Connect LED bars:
IP20 – use wires connectors;
IP67 – connect female connector with male connector, secure connection by tightening up the connector cap.



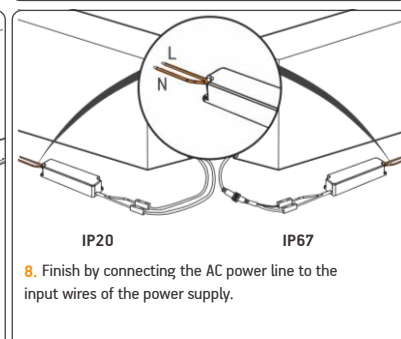
5. Cap all unused wire. The strand of bars should not be looped to create a closed circuit. For IP67: first – cut the connector off, then – cap the wires).



6. Choose a 24 VDC power supply. For IP67: before connecting wires to the power supply, connect extension cable with power wires to the LED bar-set. Secure the connection by tightening up the connector cap.

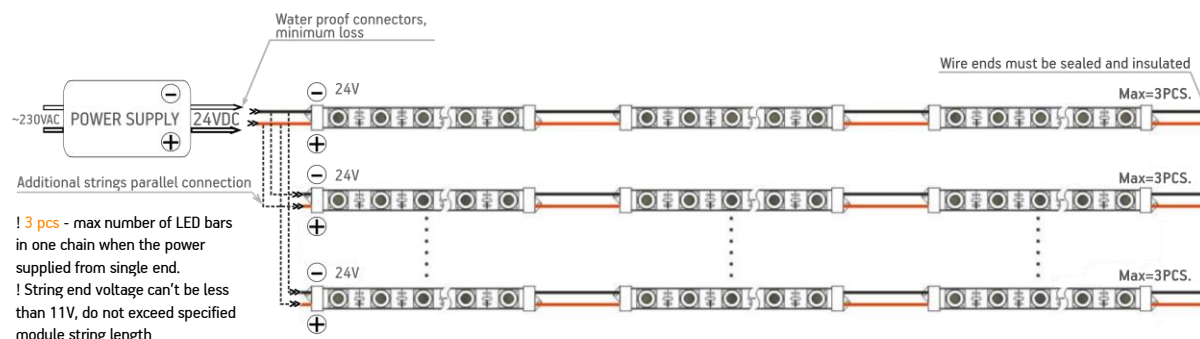


7. Connect the red wire (+) of the LED bars to the positive wire (+) of the power supply. Connect the black wire (-) to the negative wire (-) of power supply. Use waterproof or simple connectors depending on the IP class.



8. Finish by connecting the AC power line to the input wires of the power supply.

CONNECTION SCHEME



POWER SUPPLY LOAD RECOMMENDATIONS

SKU	NOMINAL POWER	MAX POWER OF CONNECTED BARS
BPSP-60-24V.1	60 W	55 W
BPSP-100-24V.1	100 W	90 W
BPSP-150-24V.1	150 W	135 W

! Power loss less than 5%.
! Recommendations for optimal use of power supply.

© 2020, All rights reserved BaltLED, UAB. Specifications are subject to change without notice.



EDGELIT LED BAR installation guide

READ THE INSTRUCTIONS CAREFULLY BEFORE MOUNTING

SAFETY PRECAUTIONS

- Installation of LED bars must be carried out by a qualified technician in accordance with relevant electrical equipment handling standards.
- Before installing make sure that the fixing area can bear the total weight of the LED bars.
- LED bars and power supplies have absolute maximum ratings. Comply with the specifications to avoid failure, damage and injury.
- Do not modify LED bars. This may lead to damage, injury and will void the warranty.
- Do not connect the LED bars to a power supply that is turned on! Injury and LED bar failure may occur. If a power supply is turned on with no load (for example because of a bad connection), turn the power supply off and allow 5 minutes for it to fully discharge before continuing work on the installation.
- Avoid placing any high temperature objects around the LED bars. Also avoid putting cloth or paper on the LED bars. It may lead to combustion, burnout, overheat, failure, deformation.
- Before performing maintenance, turn off the power and allow the LED bars to cool down. Otherwise there is danger of burns or electric shock.
- Do not wipe or spray LED bars with volatile materials such as thinner or benzene as it may lead to damage or spontaneous combustion.
- If there are any signs of smoke or there is a smell of burnt plastic, turn off power to the installation immediately and investigate the power supply and wiring carefully.
- Ensure that power supply and other system components are properly earthed if using Class 0 or Class I power supplies.

INSTALLATION RECOMMENDATIONS

- The adhesive tape is for temporary mounting only! Additional adhesives or fasteners must be used for permanent installation.
- Be sure to install LED bars in maintainable places.
- Avoid using excessive force during installation in order to minimize the risk of damage to LED bars or cabling.
- Be careful not to go beyond the recommended maximum quantities of LED bars for a given power supply. Overload may cause blinking, uneven illumination or failure.
- These LED bars are designed to work with constant-voltage power supplies. Use only recommended power supplies. Do not connect to constant-current power supplies, as doing so will cause immediate failure of LED bars.
- Please install LED bars using appropriate cables. There is a possibility of cables disconnecting or breaking due to shrinkage caused by temperature changes.
- Make sure to provide sufficient ventilation and rainwater drainage for the installation containing the LED bars to prevent shortening their lifetime due to excess heat, long-term exposure to water or ice damage. Operating temperature should be within -30~50 °C.
- When fixing the cabling of the installation avoid using metal cable ties or brackets – they may damage the cable insulation and cause short-circuits.
- In order to prevent LED breakdown caused by static discharge make sure not to touch the wiring of the LED bars with bare hands.
- Make sure to check the LED bar connections for the correct polarity. Reversed connections may lead to failure.
- Do not pull on the wiring while removing the LED bars – risk of damage.
- Do not install LED bars under direct sunlight or falling water – premature failure may occur.

STORAGE AND GENERAL REMARKS

- Make sure to store LED bars in a dry place, avoid elevated temperatures, high pressures, vibrations, corrosive or combustible materials, direct sunlight.
- EdgeLit LED bars cannot be used in combination with other types of LED bars. This may cause colour and brightness mismatches and lead to premature failure.
- Please ensure that the materials and components used in the installation do not contain or emit sulphuric compounds. Sulphuric compounds attack the LED bar components and may lead to changes in colour and premature failure.
- Make sure to keep records of the lot numbers and installation dates of the LED bars.