

5 YEARS WARRANTY

IP20

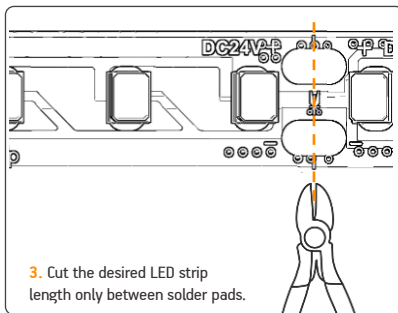
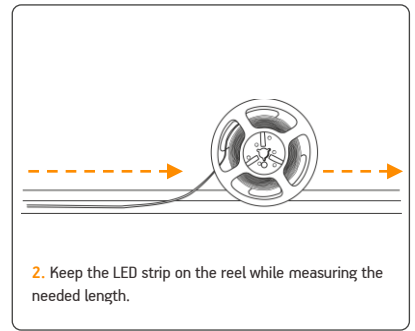
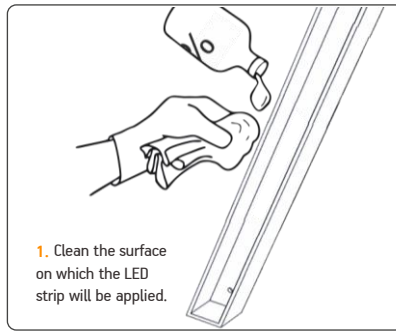
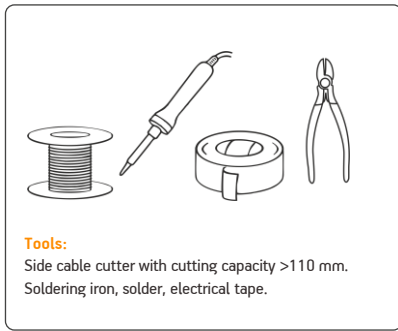
RoHS Compliant

CE

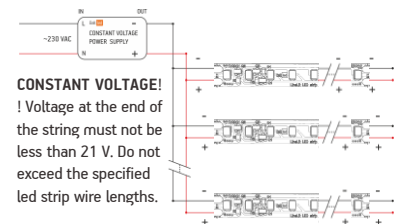
RoHS Compliant

LINELIT LED STRIP installation guide

FOR LONG-LASTING PERFORMANCE



CONNECTION SCHEME:



! Only PWM dimming is suitable for LED strips.

FOR THE BEST PERFORMANCE:

- ✓ The LED strips should be use on Aluminum profiles

BE CAREFUL:

- ✗ Do not bend the LED strip very aggressively.
- ✗ Do not keep the soldering iron on solder parts longer than 3 seconds.
- ✗ Do not touch the LED diode or other components with soldering iron.

SAFETY PRECAUTIONS:

- Installation of led strips must carried out by a qualified technician in accordance to relevant electrical equipment handling standards.
- Before installing make sure that the fixing area can bear the total weight of the led strips.
- Led strips and power supplies have absolute maximum ratings. Comply with the specifications to avoid failure, damage and injury.
- Do not modify led strips. This may lead to damage, injury and will void the warranty.
- Do not connect led strips to a power supply that is turned on! Injury and led strips failure may occur. If a power supply is turned on with no load (for example because of a bad connection), turn the power supply off and allow 5 minutes for it to fully discharge before continuing work on the installation.
- Avoid placing any high-temperature objects around the led strips. Also avoid putting cloth or paper on the led strips. It may lead to combustion, burnout, overheat, failure, deformation.
- Avoid mechanical stress on LED strip, especially on LEDs and other electrical components.
- Avoid dusty environment while mounting LED strip.
- Before performing maintenance, turn off the power and allow the led strips to cool down. Otherwise, there is a danger of burns or electric shock.
- Do not wipe or spray led strips with volatile materials such as thinner or benzene as it may lead to damage or spontaneous combustion.
- If there are any signs of smoke or there is a smell of burnt plastic, turn off power to the installation immediately, and investigate the power supply and wiring carefully.
- Ensure that power supply and other system components are properly earthed if using Class 0 or Class I power supplies.



LINELIT LED STRIP installation guide

FOR LONG-LASTING PERFORMANCE



INSTALLATION RECOMMENDATIONS

- Be sure to install led strips in maintainable places.
- Avoid using excessive force during installation in order to minimize the risk of damage to led strips or cabling.
- Be careful not to go beyond the recommended maximum quantities of led strips for a given power supply. Overload may cause blinking, uneven illumination, or failure.
- These LED strips are designed to work with constant-voltage power supplies. Recommend to use BaltLED SignBridge power supplies. Do not connect to constant-current power supplies, as doing so will cause immediate failure of led strips.
- Please install led strips using appropriate cables. There is a possibility of cables disconnecting or breaking due to shrinkage caused by temperature changes.
- Make sure to provide sufficient ventilation and rainwater drainage for the installation containing the led strips to prevent shortening their lifetime due to excess heat, long-term exposure to water or ice damage. Operating temperature should be within -20°C – 60 °C.
- When fixing the cabling of the installation avoid using metal cable ties or brackets – they may damage the cable insulation and cause short-circuits.
- In order to prevent LED breakdown caused by static discharge make sure not to touch the wiring of the led strips with bare hands.
- Connect only to power supply with 24V DC output. Red wire to positive output of power supply. Black wire to negative output of power supply
- Do not install led strips under direct sunlight or falling water – premature failure may occur.

STORAGE AND GENERAL REMARKS

- Make sure to store led strips in a dry place, avoid elevated temperatures, high pressures, vibrations, corrosive or combustible materials, direct sunlight.
- Led strips cannot be used in combination with other types of led strips. This may cause colour and brightness mismatches and lead to premature failure.
- Please ensure that the materials and components used in the installation do not contain or emit sulphuric compounds. Sulphuric compounds attack the led strips components and may lead to changes in colour and premature failure.
- Make sure to keep records of the lot numbers and installation dates of the led strips.