

CROWN OPTO X1



ITEM DESCRIPTION

With Crown OPTO X1 we introduce a better solution for illumination of small depth light boxes and channel letters.

Designed for depths ranging from 90 to 140 mm, these modules also enable you to reduce installation time and save up on module quantity. As they have a better light distribution pattern, you need less modules for 1 m² than with previous solutions. Powered by Philips Lumiled, they show extreme endurance at harsh working conditions (IP67) and have 7 year warranty with L70 for 80,000 hours.

APPLICATION

- Small depth channel letters
- Small depth light boxes
- Recommended depth 90 – 140 mm
- Red, green and blue colours available

FEATURES & BENEFITS

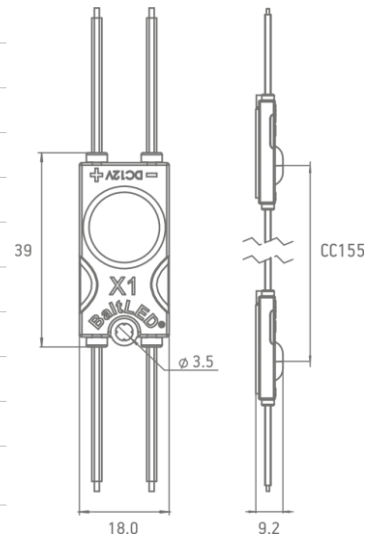
- Powered by Philips Lumiled
- CRI > 83
- Extreme environment and conditions housing
- Easy and fast installation cables
- Made in Europe
- IP67 protection class
- 7 year warranty



GENERAL SPECIFICATIONS

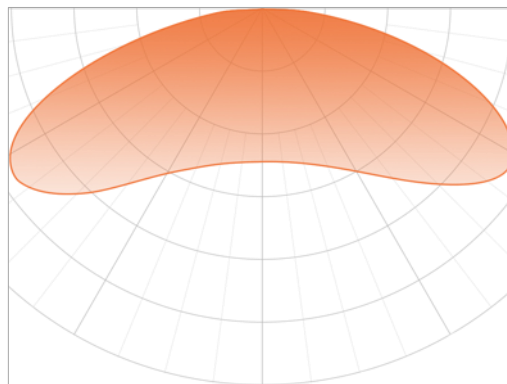
SUPPLY VOLTAGE	12 VDC
POWER	0.4, 0.5 W, 0.6 W
RECOMMENDED DEPTH	From 90 to 140 mm
CC DISTANCE	155 mm
BINNING	3 SDCM
OPERATING TEMPERATURE	-40 °C ~ +60 °C
STORAGE TEMPERATURE	+5 °C ~ +35 °C
STORAGE CONDITIONS	Relative humidity <60%
CERTIFICATION	CE and RoHS compliant
IP CLASS	IP 67
LIFETIME	L70 80,000 h (white) L70 50,000 h (other)
WARRANTY	7 years*

*Warranty is applied only and if storage, mounting and maintenance conditions, stated in the installation guide, are followed.



* Dimensions are in mm

LIGHT DISTRIBUTION GRAPH



Beam angle: 160°

ORDERING INFORMATION

SKU	POWER, W	LUMEN OUTPUT, LM	COLOUR	STATUS
BMP-X1.2-01UH160CW65NS	0.6	60	6500 K	IN STOCK
BMP-X1.2-01UH160NW40NS	0.6	60	4000 K	IN STOCK
BMP-X1.2-01UH160WW30NS	0.6	56	3000 K	PRE-ORDER*
BMP-X1.2-01UH160RC	0.4	17	red	PRE-ORDER*
BMP-X1.2-01UH160GC	0.5	35	green	PRE-ORDER*
BMP-X1.2-01UH160BC	0.5	9	blue	PRE-ORDER*

* Pre-order products will be available only with MOQ from 3000 EUR, lead time 3 – 8 weeks. For precise lead time, contact your Customer Service manager.

CHAIN	BAG	BOX
70 pcs (net weight: 0.638 kg)	140 pcs (net weight: 1.3 kg)	840 pcs (net weight: 8.1 kg)

© 2020, All rights reserved BaltLED, UAB. Specifications are subject to change without notice.