

CROWN OPTO S0



ITEM DESCRIPTION

In front of you – technical information of the updated Crown OPTO S0 module. Crown OPTO S0 was a really good option for illuminating low depth letters and light boxes, but now it is even better. Due to the new optics we have used with this module, now the update is 20% better at 50 mm depth. This gives you uniform bright illumination with less modules reducing the costs of projects even further. Also, we have managed to equip S0 with a better LED, resulting in increased life time to L70 50 000 h, hence granting 5 years warranty. Crown OPTO S0 – a great option for low depth projects when economical, although quality solution is needed.

APPLICATION

- Channel letters signs and light boxes
- Recommended depth 30 – 80 mm

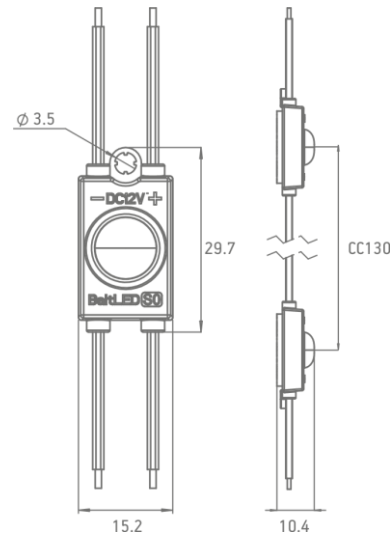
FEATURES & BENEFITS

- Compact design
- Efficiency up to 109 lm/W
- IP67 protection class
- White, red, green and blue colours are available
- 5 year warranty

GENERAL SPECIFICATIONS

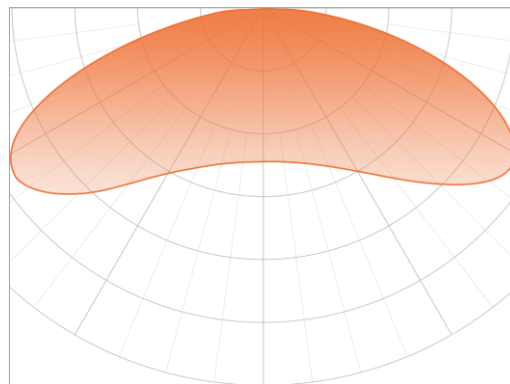
| | |
|-----------------------|------------------------|
| SUPPLY VOLTAGE | 12 VDC |
| POWER | 0.35 W |
| RECOMMENDED DEPTH | From 30 to 80 mm |
| CC DISTANCE | 130 mm |
| BINNING | 3 SDCM |
| OPERATING TEMPERATURE | -30 °C ~ +50 °C |
| STORAGE TEMPERATURE | +5 °C ~ +70 °C |
| STORAGE CONDITIONS | Relative humidity <60% |
| CERTIFICATION | CE and RoHS compliant |
| IP CLASS | IP 67 |
| LIFETIME | L70 50,000 h |
| WARRANTY | 5 years (24/7)* |

*Warranty is applied only and if storage, mounting and maintenance conditions, stated in the installation guide, are followed.



* Dimensions are in mm

LIGHT DISTRIBUTION GRAPH



Beam angle: 160°

ORDERING INFORMATION

| SKU | POWER | LUMEN OUTPUT, LM | COLOUR TEMP. | STATUS |
|---------------------|-------|------------------|--------------|----------|
| BMP-S0-01UH160CW651 | 0.35 | 38 | 6600 K | IN STOCK |
| BMP-S0-01UH160CW652 | 0.35 | 38 | 6500 K | IN STOCK |
| BMP-S0-01UH160NW401 | 0.35 | 37 | 4000 K | IN STOCK |
| BMP-S0-01UH160WW301 | 0.35 | 37 | 3000 K | IN STOCK |
| BMP-S0-01UH160RC | 0.35 | 15 | red | IN STOCK |
| BMP-S0-01UH160GC | 0.35 | 25 | green | IN STOCK |
| BMP-S0-01UH160BC | 0.35 | 6 | blue | IN STOCK |

** Pre-order products will be available only with MOQ from 3000 EUR, lead time 3 – 8 weeks. For precise lead time, contact your Customer Service manager.

| CHAIN | BAG | BOX |
|-------------------------------|--------------------------------|---------------------------------|
| 70 pcs (net weight: 0.375 kg) | 140 pcs (net weight: 0.745 kg) | 1400 pcs (net weight: 8.000 kg) |

© 2020, All rights reserved BaltLED, UAB. Specifications are subject to change without notice.

www.baltled.com
17th January, 2020

Balt led