

BP5P-C700-60.1

60 W CONSTANT CURRENT
LED DRIVER



FEATURES

- Constant current type power supply
- Power Factor Correction
- 100 – 240 VAC main voltage
- IP67 protection class
- UL1310 Class 2 power unit, pass LPS
- Designed for LED lighting and signage applications
- 5 years warranty

CONFORMITY & STANDARDS

- EN60950-1
- EN61347-2-13
- EN55015
- EN55022 Class B
- EN 61000-3-2,-3
- EN61000-4-2,3,4,5,6,8,11
- EN50204
- EN55024
- EN61547



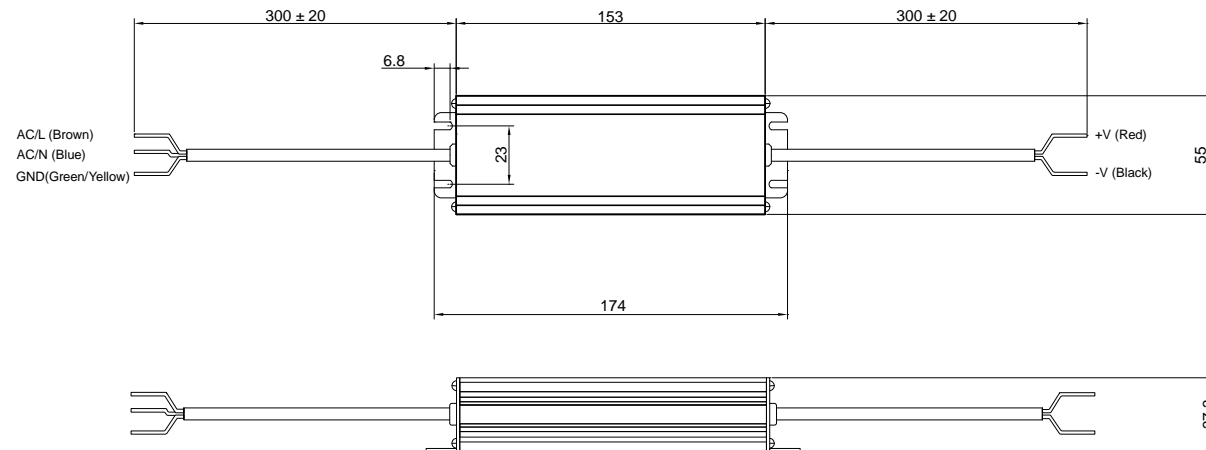
GENERAL SPECIFICATIONS

EFFICIENCY	88 %
TURN ON DELAY	0.8 s
OPERATING CONDITIONS	-30 °C ~ +50 °C; 20 ~ 90% humidity
STORAGE CONDITIONS	-40 °C ~ +80 °C; 10 ~ 95% humidity
IP CLASS	IP67
PROTECTION INCLUDED	Over current Short circuit Over voltage Over temperature
WARRANTY	5 years, 45 000 h

QUANTITY OF DRIVERS PER CIRCUIT BREAKER

CIRCUIT BREAKER OF TYPE B 16 A	CIRCUIT BREAKER OF TYPE C 25 A
59 units (at 230 VAC)	92 units (at 230 VAC)

DIMENSIONS (MM)



Balt led

INPUT

INPUT VOLTAGE RANGE	100 – 240 VAC; (47 – 63 Hz)
MAX INPUT AC CURRENT	0.6 A
MAX INRUSH CURRENT	65 A
POWER FACTOR	0.95

OUTPUT

OUTPUT CURRENT	0.7 A ± 5%
OUTPUT VOLTAGE	40 – 80 VDC
MAX OUTPUT POWER	56 W

ORDERING INFORMATION

SKU	UNIT NET WEIGHT, G	UNIT DIMENSIONS, MM	STATUS
BP5P-C700-60.1	715.5	174 x 55 x 37.3	available