

CROWN OPTO S0+



ITEM DESCRIPTION

Crown OPTO S0+ is a new solution for uniform illumination of single-sided lightboxes and bigger channel letters with depth ranging from 40 to 90 mm. Due to the new optics, we have used with this module, light is distributed more evenly inside the lightboxes or channel letters. As these modules have a better light distribution pattern, they can be installed with a 170 mm step. For fixing modules in place, adhesive tape is used. To ensure the convenient use of it, we designed the tape with a finger lift edge liner for quick and easy removal of the protective layer. Crown OPTO S0+ comes with L80 50 000 h lifetime and 5 years (24/7) warranty.

APPLICATION

- Single-sided lightboxes and bigger channel letters
- Recommended depth 40 – 90 mm

FEATURES & BENEFITS

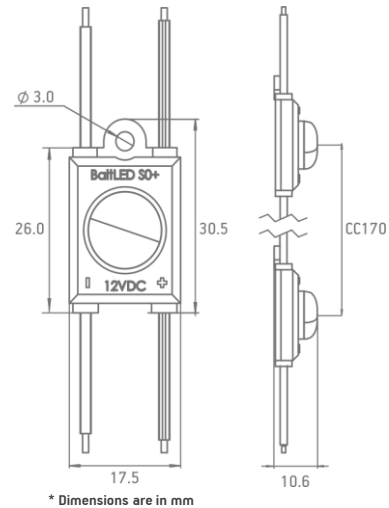
- Efficiency up to 126 lm/W
- 170 mm distance between centers of modules
- IP67 protection class
- L80 50, 000 h lifetime
- 5-year 24/7 warranty
- Easy tear finger-lift tape for faster installation



GENERAL SPECIFICATIONS

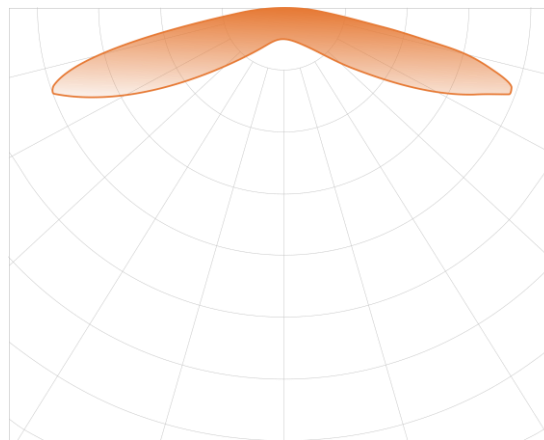
SUPPLY VOLTAGE	12 VDC
POWER	0.5 W
RECOMMENDED DEPTH	from 40 to 90 mm
CC DISTANCE	170 mm
BINNING	3 SDCM
OPERATING TEMPERATURE	-30 °C ~ +50 °C
STORAGE TEMPERATURE	+5 °C ~ +70 °C
STORAGE CONDITIONS	Relative humidity <60%
CERTIFICATION	CE and RoHS pending
IP CLASS	IP67
LIFETIME	L80 50,000 h
WARRANTY	5 years (24/7)*

*Warranty is applied only and if storage, mounting and maintenance conditions, stated in the installation guide, are followed.



* Dimensions are in mm

LIGHT DISTRIBUTION GRAPH



Beam angle: 160°

ORDERING INFORMATION

SKU	POWER, W	LUMEN OUTPUT, LM	COLOUR TEMP.	STATUS
BM0P-SP-LE1A160865E05	0.5	63	6500 K	IN STOCK

PACKAGING INFORMATION

CHAIN	BAG	BOX
60 pcs (0.4 kg)	120 pcs (0.8 kg)	1440 pcs (10.4 kg)

© 2019, All rights reserved BaltLED, UAB. Specifications are subject to change without notice.