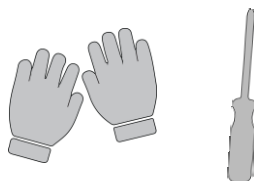
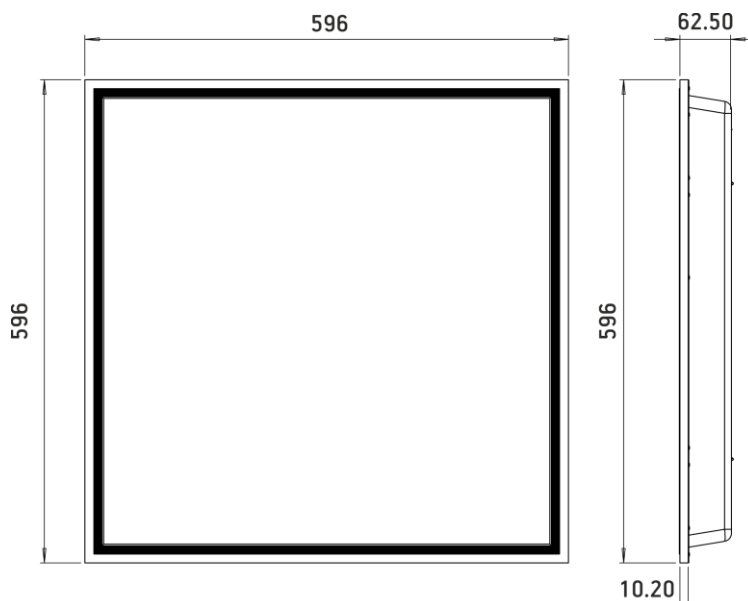


NEEDED FOR MOUNTING



PANEL DIMENSIONS (mm)



WARNING

- Turn power off before inspection, installation or removal.
- Properly ground electrical enclosure.
- Luminaire may fall down if not installed properly.
- Avoid direct eye exposure to the light source while it is on.
- For indoor use only.
- Dry location only.
- Do not operate luminaire with damaged parts.
- To prevent wiring damage or abrasion, do not expose wiring to edges of sheet metal or other sharp objects.
- The manufacturer shall not be liable for any damage resulting from inappropriate modifications to the luminaire or faulty installation.

If you have any questions, contact the manufacturer.

5 YEARS WARRANTY

BACKLIT PANEL INSTALLATION GUIDE

IP20

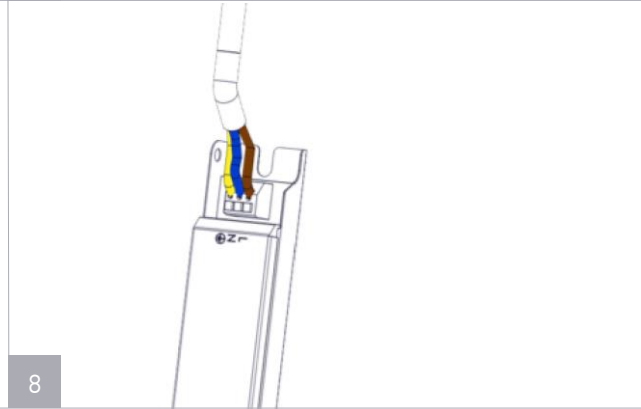
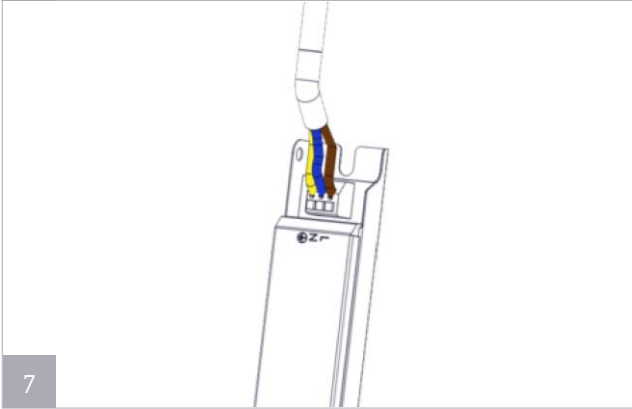
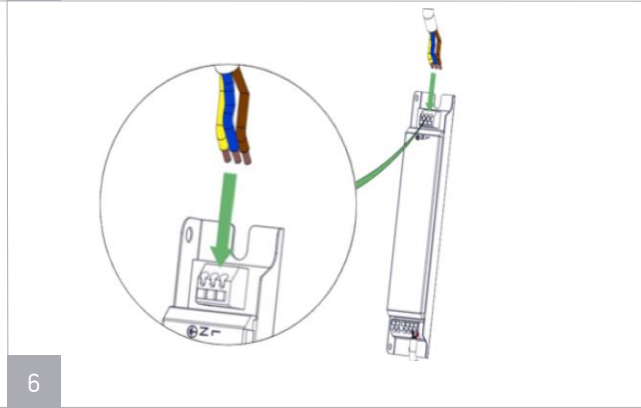
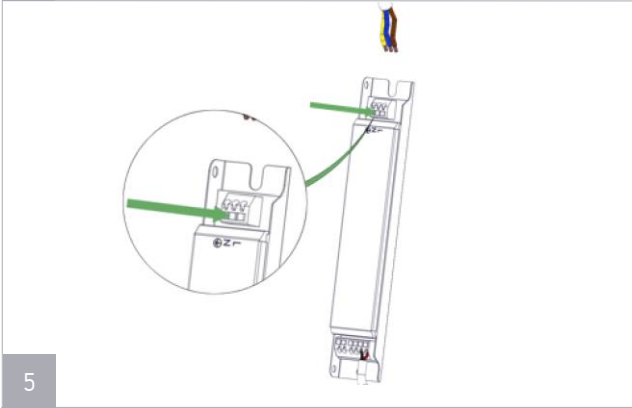
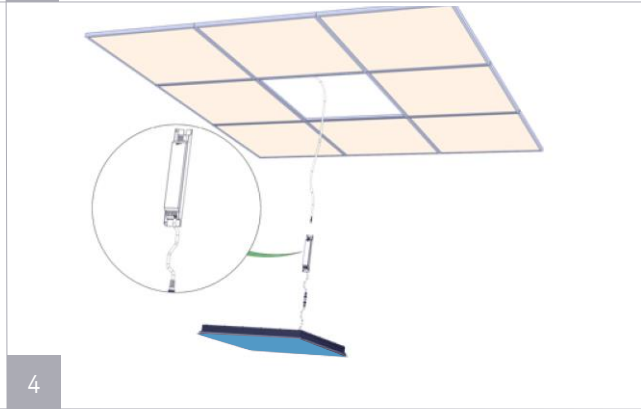
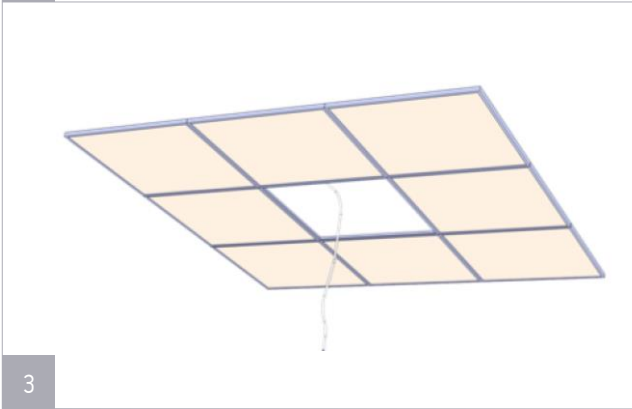
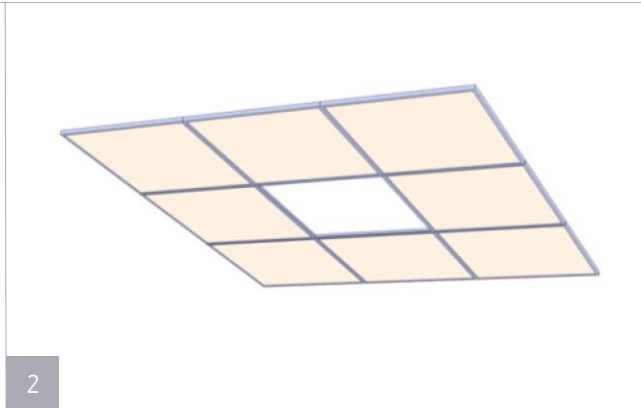
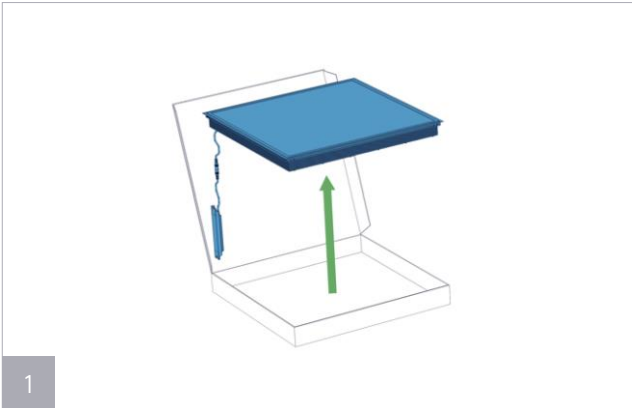
RECESSED MOUNTING

RoHS Compliant

CE



F



© 2019, All rights reserved BaltLED, UAB. Specifications are subject to change without notice.

5 YEARS WARRANTY

BACKLIT PANEL INSTALLATION GUIDE

IP20

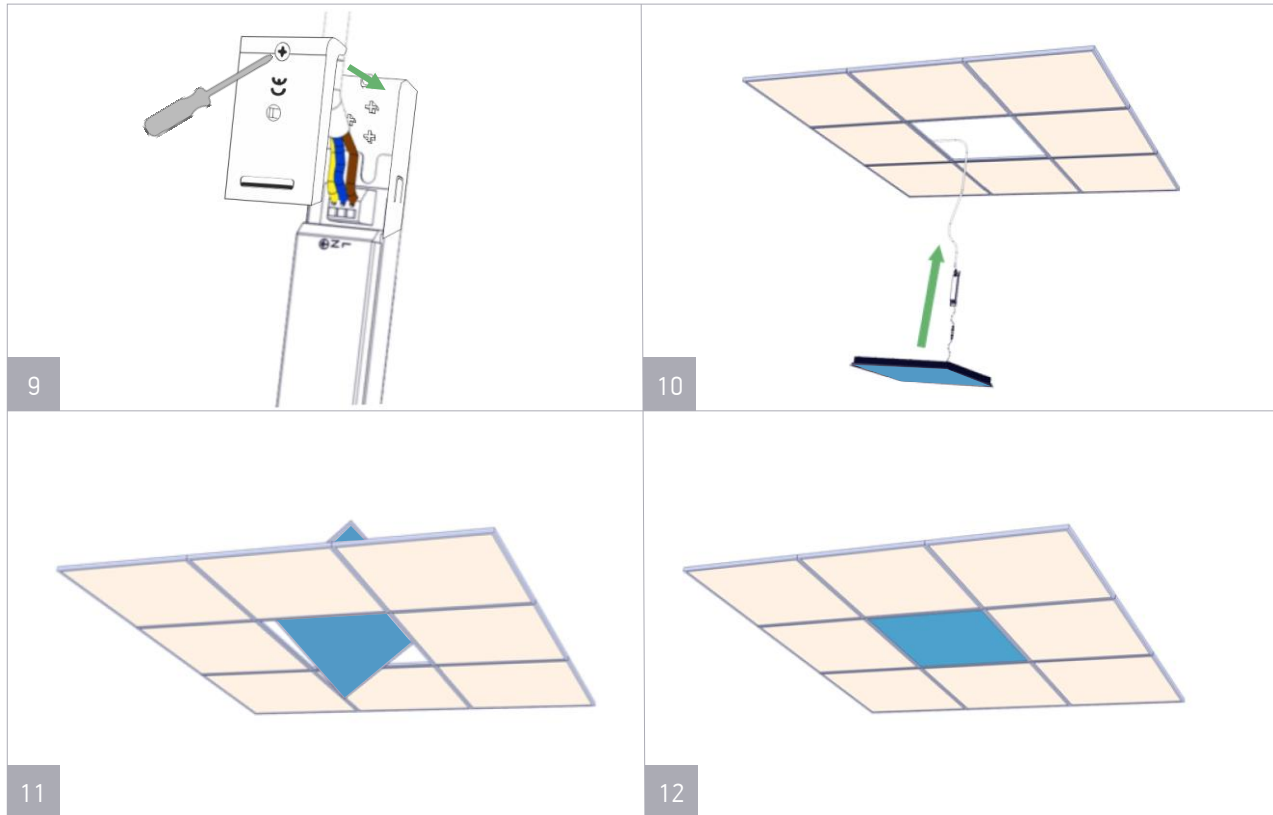
RECESSED MOUNTING

RoHS Compliant

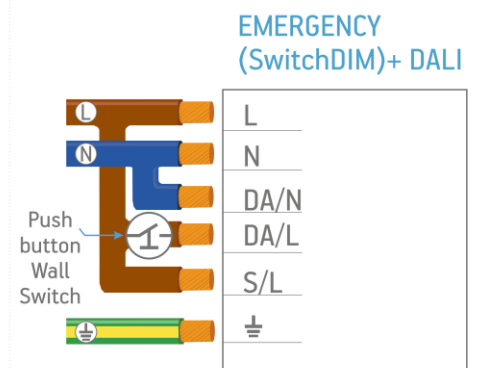
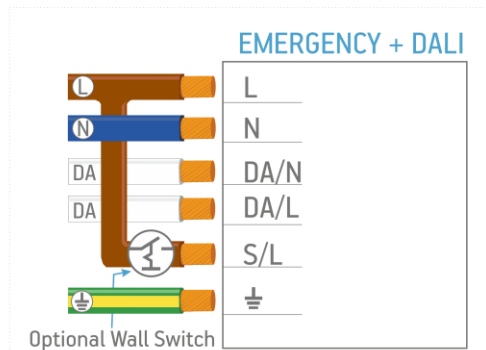
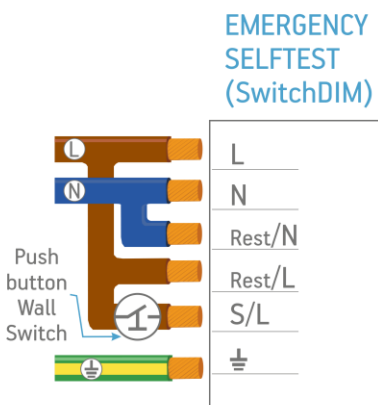
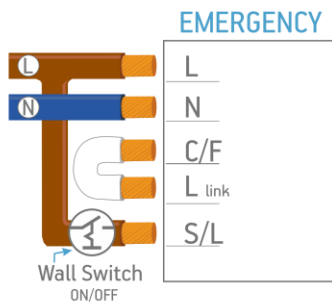
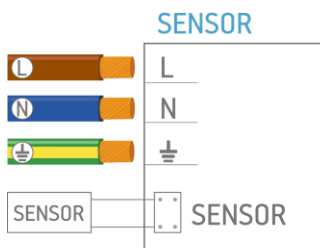
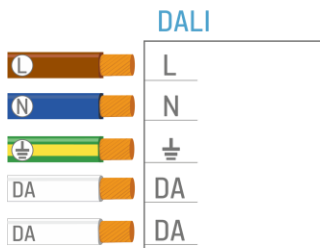
CE

—

F



CONNECTION DIAGRAM



© 2019, All rights reserved BaltLED, UAB. Specifications are subject to change without notice.