

CROWN OPTO X0



ITEM DESCRIPTION

With Crown OPTO X0 we introduce a better solution for illumination of small depth light boxes and channel letters.

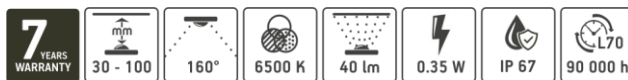
Designed for depths ranging from 30 to 100 mm, these modules also enable you to reduce installation time and save up on module quantity. As they have a better light distribution pattern, you need less modules for 1 m² than with previous solutions. Powered by Philips Lumiled, they show extreme endurance at harsh working conditions (IP67) and have 7 year warranty with L70 for 90,000 hours.

APPLICATION

- Small depth channel letters
- Small depth light boxes
- Recommended depth 30 – 100 mm

FEATURES & BENEFITS

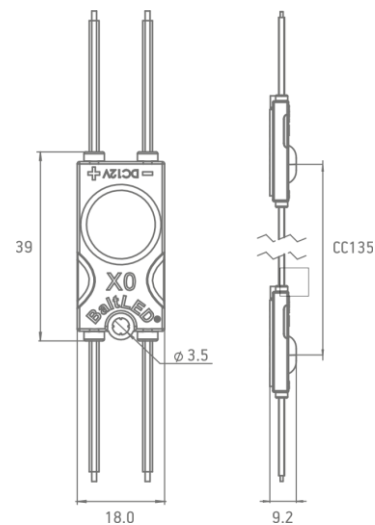
- Powered by Philips Lumiled
- CRI >83
- Extreme environment and conditions housing
- Easy and fast installation cables
- Made in Europe
- IP67 protection class
- 7 year warranty



GENERAL SPECIFICATIONS

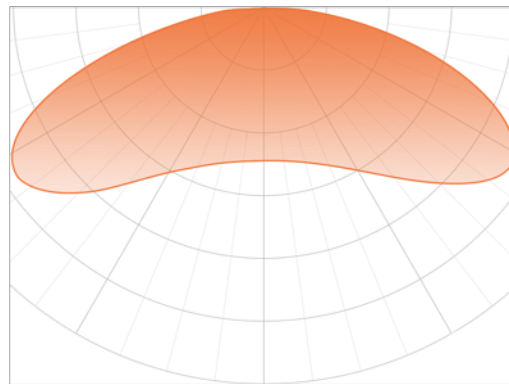
| | |
|-----------------------|------------------------|
| SUPPLY VOLTAGE | 12 VDC |
| POWER | 0.35 W |
| RECOMMENDED DEPTH | From 30 to 100 mm |
| CC DISTANCE | 135 mm |
| BINNING | 3 SDCM |
| OPERATING TEMPERATURE | -40 °C ~ +60 °C |
| STORAGE TEMPERATURE | +5 °C ~ +35 °C |
| STORAGE CONDITIONS | Relative humidity <60% |
| CERTIFICATION | CE and RoHS compliant |
| IP CLASS | IP 67 |
| LIFETIME | L70 90,000 h (white) |
| WARRANTY | 7 years* |

*Warranty is applied only and if storage, mounting and maintenance conditions, stated in the installation guide, are followed.



* Dimensions are in mm

LIGHT DISTRIBUTION GRAPH



Beam angle: 160°

ORDERING INFORMATION

| PRODUCT NAME | POWER, W | LUMEN OUTPUT, LM | COLOUR | STATUS |
|------------------------|----------|------------------|--------|------------|
| BMP-X0.2-01UH160CW75NS | 0.35 | 40 | 7500 K | PRE-ORDER* |
| BMP-X0.2-01UH160CW70NS | 0.35 | 40 | 7000 K | PRE-ORDER* |
| BMP-X0.2-01UH160CW65NS | 0.35 | 40 | 6500 K | IN STOCK |
| BMP-X0.2-01UH160NW40NS | 0.35 | 39 | 4000 K | IN STOCK |
| BMP-X0.2-01UH160WW30NS | 0.35 | 32 | 3000 K | PRE-ORDER* |
| BMP-X0.2-01UH160RCNS | 0.25 | 11 | red | PRE-ORDER* |
| BMP-X0.2-01UH160GCNS | 0.30 | 21 | green | PRE-ORDER* |
| BMP-X0.2-01UH160BCNS | 0.30 | 6 | blue | PRE-ORDER* |

* Pre-order products will be available only with MOQ from 3000 EUR, lead time 3 – 8 weeks. For precise lead time, contact your Customer Service manager.

| CHAIN | BAG | BOX |
|-------------------------------|------------------------------|------------------------------|
| 80 pcs (net weight: 0.688 kg) | 160 pcs (net weight: 1.4 kg) | 960 pcs (net weight: 8.7 kg) |

© 2019, All rights reserved BaltLED, UAB. Specifications are subject to change without notice.