

CROWN OPTO S3



ITEM DESCRIPTION

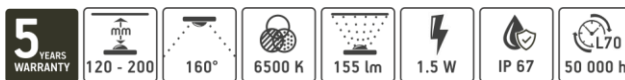
In front of you – technical information of our newest addition to Crown OPTO S family – Crown OPTO S3. Observing your fascinating interest with S family we have decided to extend the product line and provide you with modules for bigger depths as well. This is how S3 has emerged. With efficiency up to 103 lm/W, impressive distance between the modules, S3 should be considered when you want to illuminate boxes or letters of bigger depths.

APPLICATION

- Channel letters signs and light boxes
- Recommended depth 120 – 200 mm

FEATURES & BENEFITS

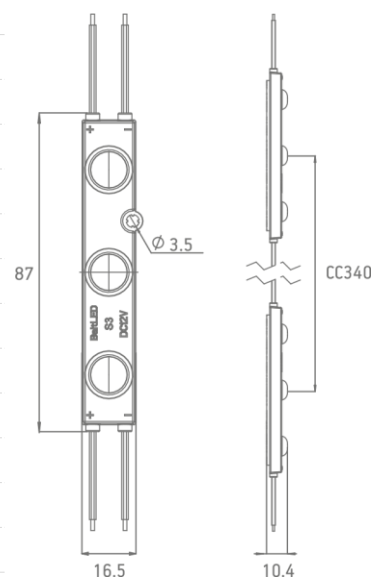
- Compact design
- Efficiency up to 103 lm/W
- IP67 protection class
- White, red, green and blue colours are available
- 5 year warranty



GENERAL SPECIFICATIONS

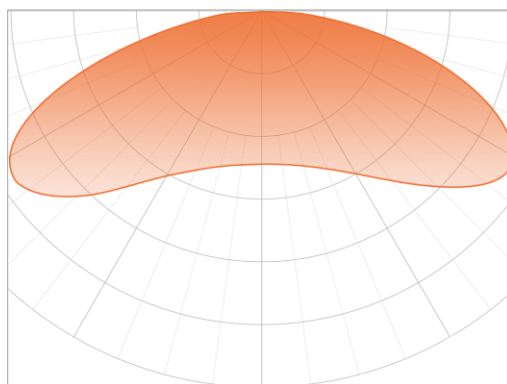
| | |
|-----------------------|------------------------|
| SUPPLY VOLTAGE | 12 VDC |
| POWER | 1.2 W, 1.5 W |
| RECOMMENDED DEPTH | From 120 to 200 mm |
| CC DISTANCE | 340 mm |
| BINNING | 3 SDCM |
| OPERATING TEMPERATURE | -30 °C ~ +50 °C |
| STORAGE TEMPERATURE | -40 °C ~ +70 °C |
| STORAGE CONDITIONS | Relative humidity <60% |
| CERTIFICATION | CE and RoHS compliant |
| IP CLASS | IP 67 |
| LIFETIME | L70 50,000 h |
| WARRANTY | 5 years (24/7)* |

*Warranty is applied only and if storage, mounting and maintenance conditions, stated in the installation guide, are followed.



* Dimensions are in mm

LIGHT DISTRIBUTION GRAPH



Beam angle: 160°

ORDERING INFORMATION

| SKU | POWER, W | LUMEN OUTPUT, LM | COLOUR | STATUS |
|---------------------|----------|------------------|--------|----------------|
| BMP-S3-03UH160CW651 | 1.5 | 155 | 6600 K | IN STOCK |
| BMP-S3-03UH160PW652 | 1.5 | 155 | 6500 K | IN STOCK |
| BMP-S3-03UH160NW401 | 1.5 | 152 | 4000 K | PRE-ORDER** |
| BMP-S3-03UH160WW301 | 1.5 | 152 | 3000 K | IN STOCK |
| BMP-S3-03UH160RC | 1.2 | 52 | red | WAREHOUSE SALE |
| BMP-S3-03UH160GC | 1.5 | 100 | green | WAREHOUSE SALE |
| BMP-S3-03UH160BC | 1.5 | 27 | blue | PRE-ORDER** |

* Pre-order products will be available only with MOQ from 3000 EUR, lead time 3 – 8 weeks. For precise lead time, contact your Customer Service manager.

| CHAIN | BAG | BOX |
|-------------------------------|-------------------------------|---------------------------------|
| 25 pcs (net weight: 0.385 kg) | 75 pcs (net weight: 1.170 kg) | 675 pcs (net weight: 11.000 kg) |

© 2019, All rights reserved BaltLED, UAB. Specifications are subject to change without notice.