

CROWN OPTO S2



ITEM DESCRIPTION



In front of you – technical information of the updated Crown OPTO S2 module. Crown OPTO S2 was a really good option for illuminating middle-range depth letters and light boxes, but now it is even better. We have equipped S2 with a better LED, resulting in increased life time to L70 50 000 h, hence granting 5 years 24/7 warranty. Crown OPTO S2 – a great option for middle-range depth projects when economical, although quality solution is needed.

APPLICATION

- Channel letters signs and light boxes
- Recommended depth 70 – 140 mm

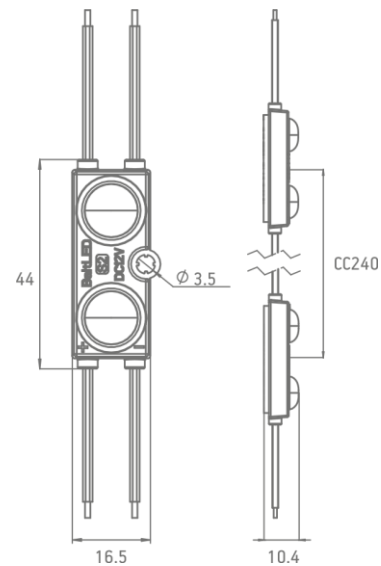
FEATURES & BENEFITS

- Compact design
- Efficiency up to 105 lm/W
- IP67 protection class
- White, red, green and blue colours are available
- 5 year warranty

GENERAL SPECIFICATIONS

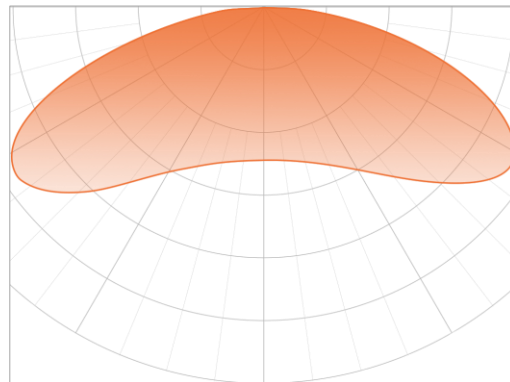
| | |
|-----------------------|------------------------|
| SUPPLY VOLTAGE | 12 VDC |
| POWER | 1 W |
| RECOMMENDED DEPTH | From 70 to 140 mm |
| CC DISTANCE | 240 mm |
| BINNING | 3 SDCM |
| OPERATING TEMPERATURE | -30 °C ~ +50 °C |
| STORAGE TEMPERATURE | +5 °C ~ +70 °C |
| STORAGE CONDITIONS | Relative humidity <60% |
| CERTIFICATION | CE and RoHS compliant |
| IP CLASS | IP 67 |
| LIFETIME | L70 50,000 h |
| WARRANTY | 5 years (24/7)* |

*Warranty is applied only and if storage, mounting and maintenance conditions, stated in the installation guide, are followed.



* Dimensions are in mm

LIGHT DISTRIBUTION GRAPH



Beam angle: 160°

ORDERING INFORMATION

| SKU | POWER, W | LUMEN OUTPUT, LM | COLOUR TEMP. | STATUS |
|---------------------|----------|------------------|--------------|-------------|
| BMP-S2-02UH160CW651 | 1.0 | 105 | 6600 K | IN STOCK |
| BMP-S2-02UH160CW652 | 1.0 | 105 | 6500 K | IN STOCK |
| BMP-S2-02UH160NW401 | 1.0 | 102 | 4000 K | PRE-ORDER** |
| BMP-S2-02UH160NW301 | 1.0 | 102 | 3000 K | PRE-ORDER** |

** Pre-order products will be available only with MOQ from 3000 EUR, lead time 3 – 8 weeks. For precise lead time, contact your Customer Service manager.

| CHAIN | BAG | BOX |
|-------------------------------|--------------------------------|---------------------------------|
| 40 pcs (net weight: 0.340 kg) | 120 pcs (net weight: 1.050 kg) | 1080 pcs (net weight: 9.900 kg) |

© 2019, All rights reserved BaltLED, UAB. Specifications are subject to change without notice.