

5 YEARS WARRANTY

IP20

RoHS Compliant

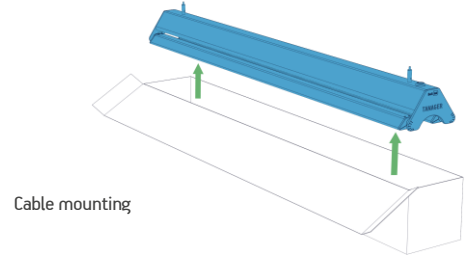
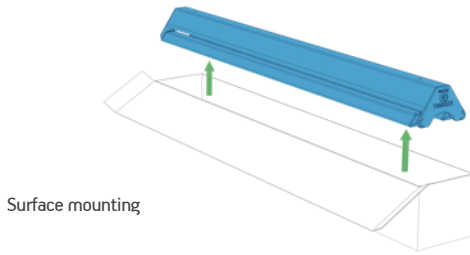
CE

—

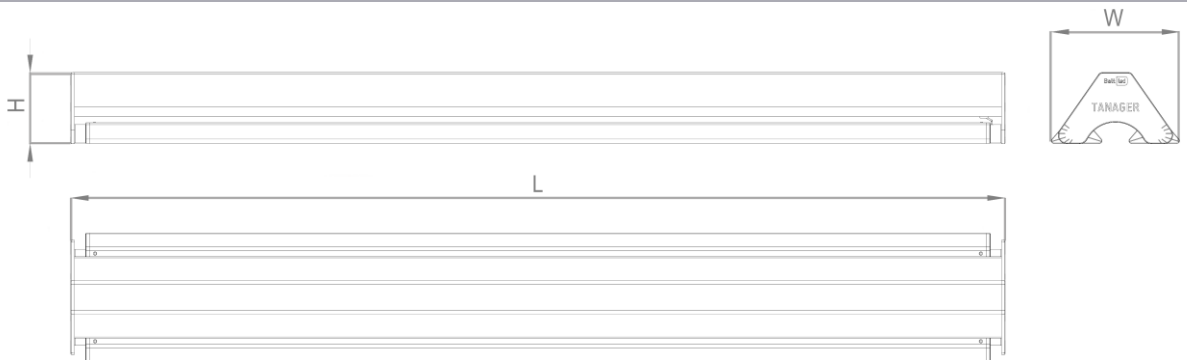
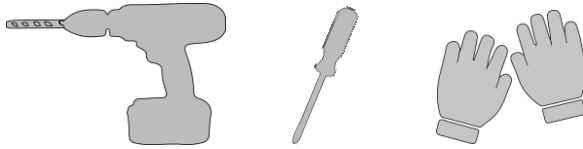
F

TANGER INDUSTRIAL LUMINAIRE INSTALLATION GUIDE

INSIDE THE BOX:



NEEDED FOR MOUNTING:



L, mm	W, mm	H, mm
310 / 560 / 1060 / 1560	145.5	81 / 131.5*

* With cable mounting

WARNING

- Turn power off before inspection, installation or removal.
- Properly ground electrical enclosure.
- Luminaire may fall down if not installed properly.
- Avoid direct eye exposure to the light source while it is on.
- For indoor use only.
- Dry location only.
- Do not operate luminaire with damaged parts.
- To prevent wiring damage or abrasion, do not expose wiring to edges of sheet metal or other sharp objects.
- The manufacturer shall not be liable for any damage resulting from inappropriate modifications to the luminaire or faulty installation.

If you have any questions, contact the manufacturer.

5 YEARS WARRANTY

IP20

RoHS Compliant

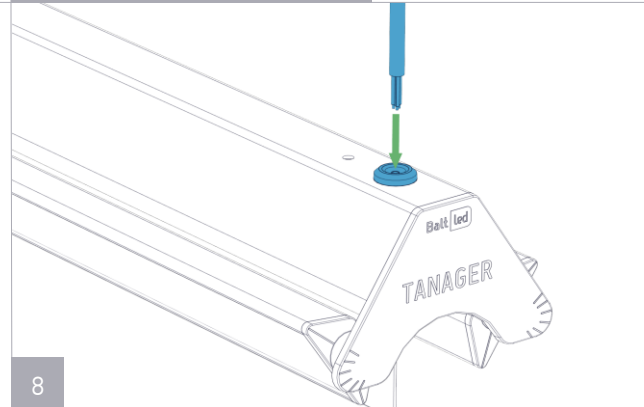
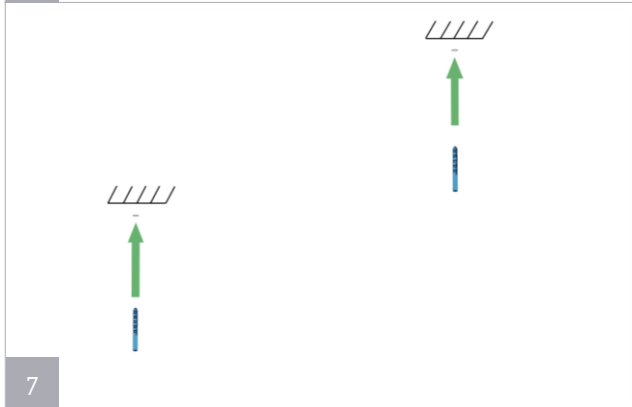
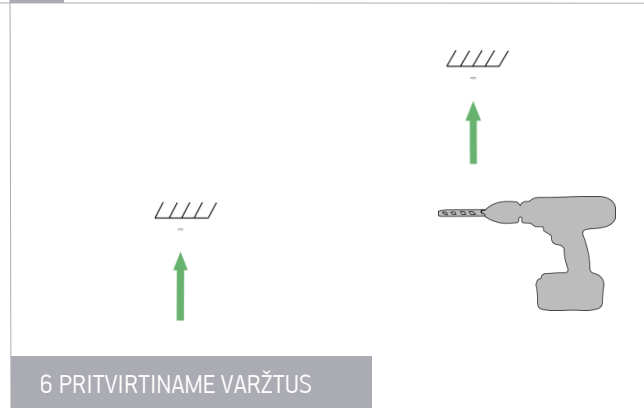
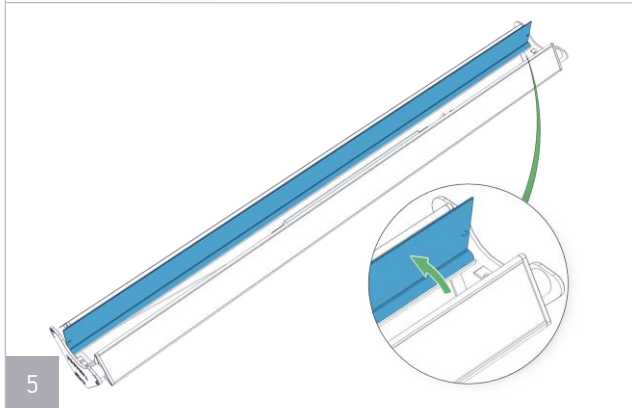
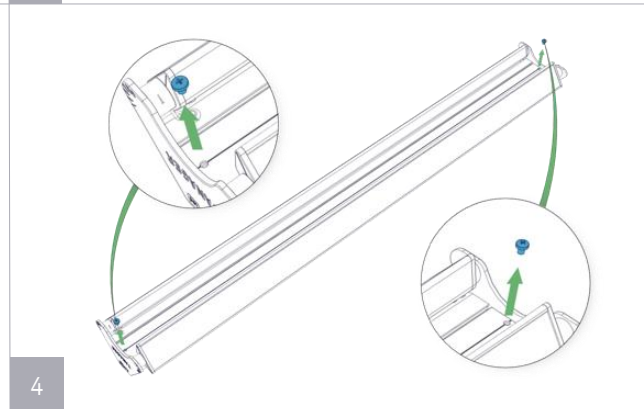
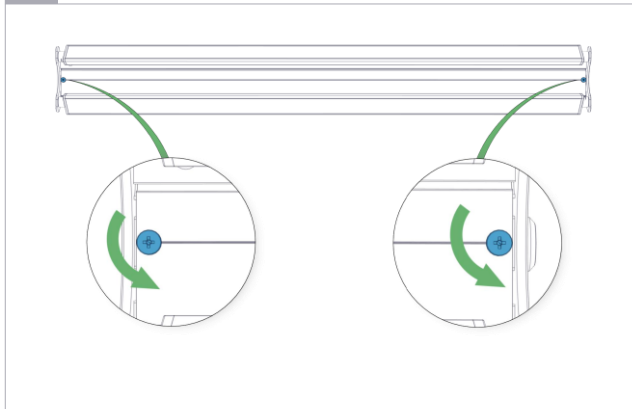
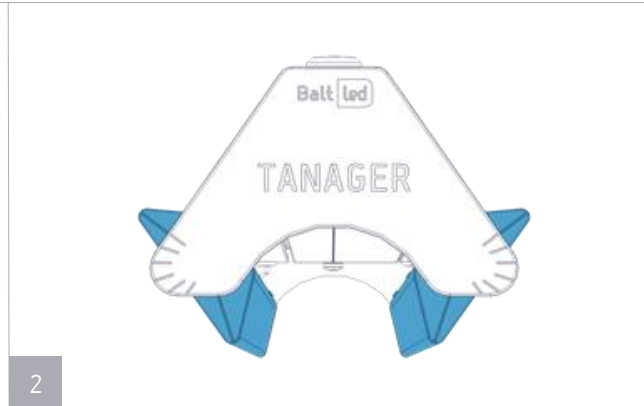
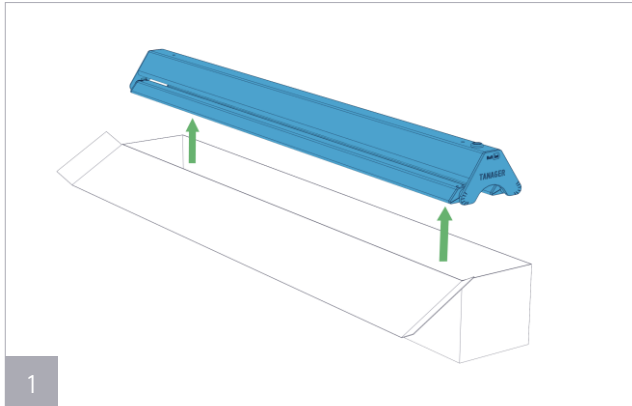
CE

—

F

TANAGER INDUSTRIAL LUMINAIRE INSTALLATION GUIDE

SURFACE MOUNTING



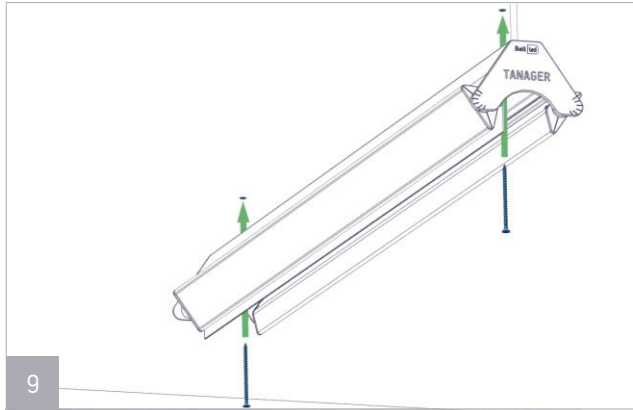
5 YEARS WARRANTY

TANAGER INDUSTRIAL LUMINAIRE INSTALLATION GUIDE

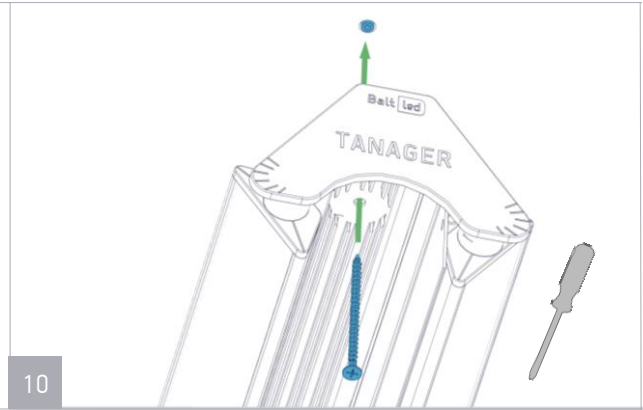
IP20

SURFACE MOUNTING

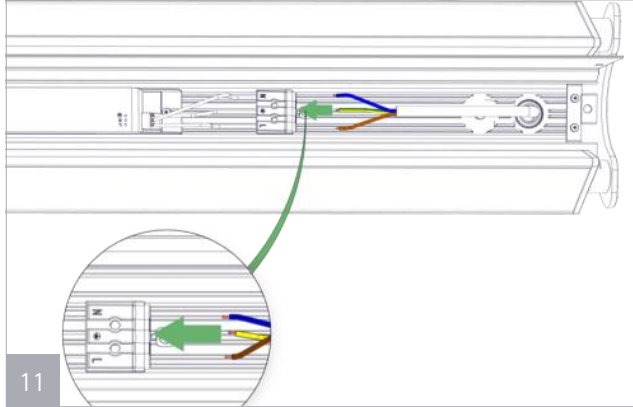
RoHS Compliant



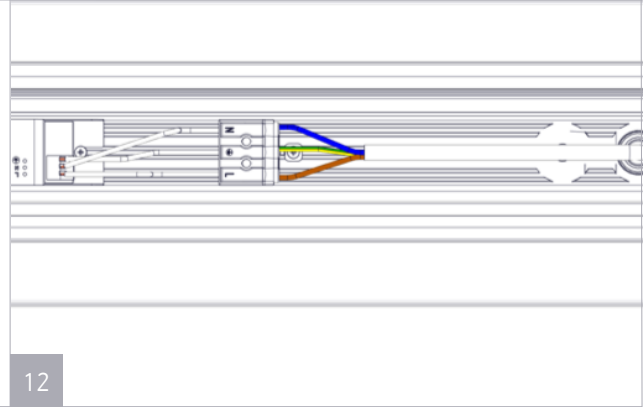
9



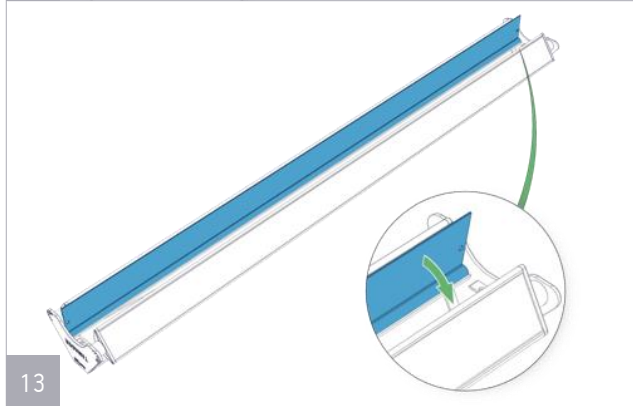
10



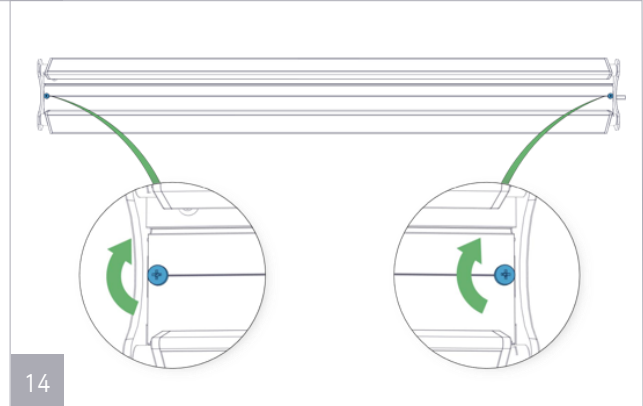
11



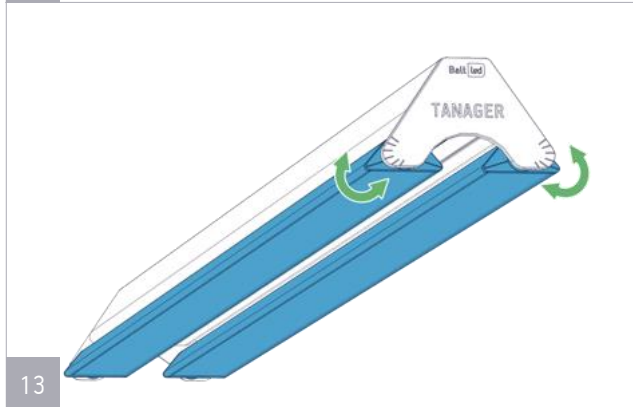
12



13



14



13

© 2018, All rights reserved BaltLED, UAB. Specifications are subject to change without notice.

5 YEARS WARRANTY

TANAGER INDUSTRIAL LUMINAIRE INSTALLATION GUIDE

IP20

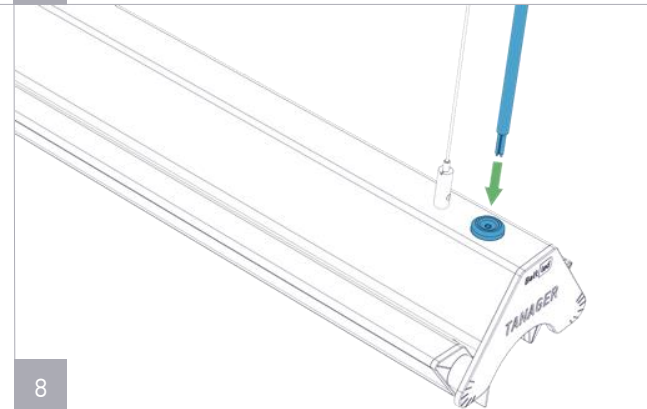
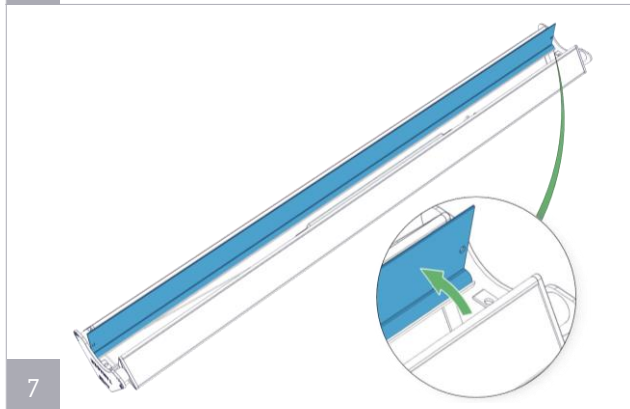
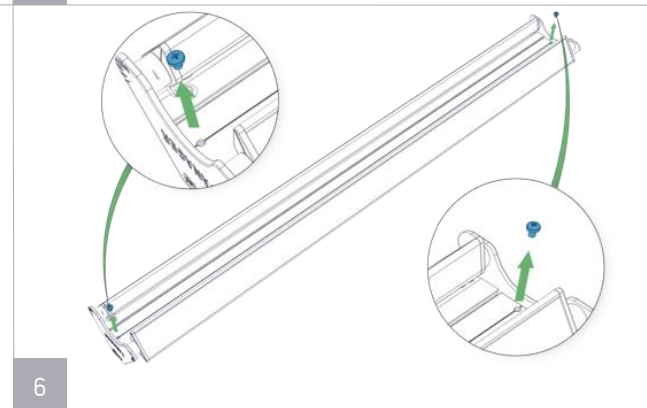
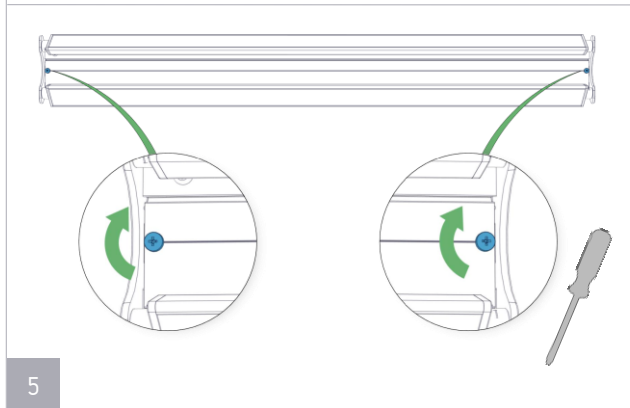
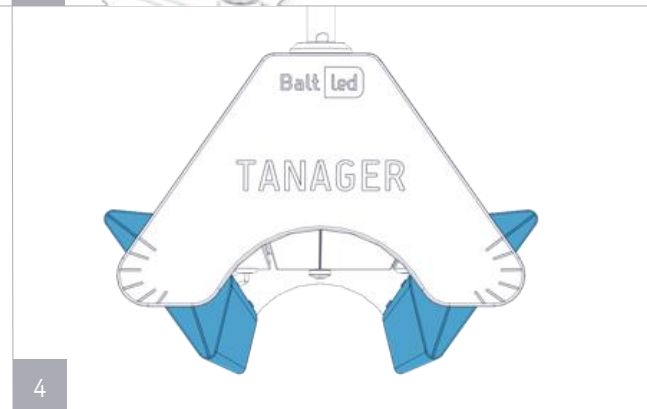
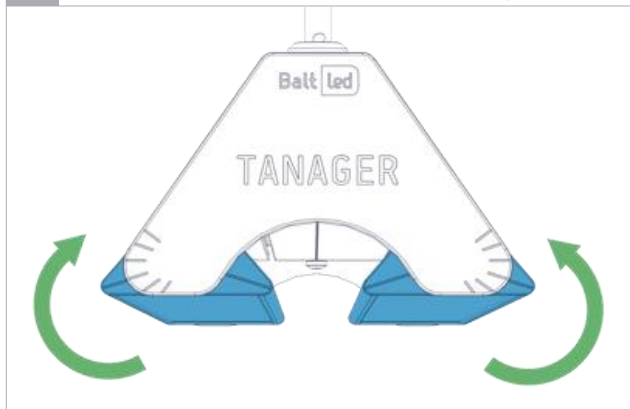
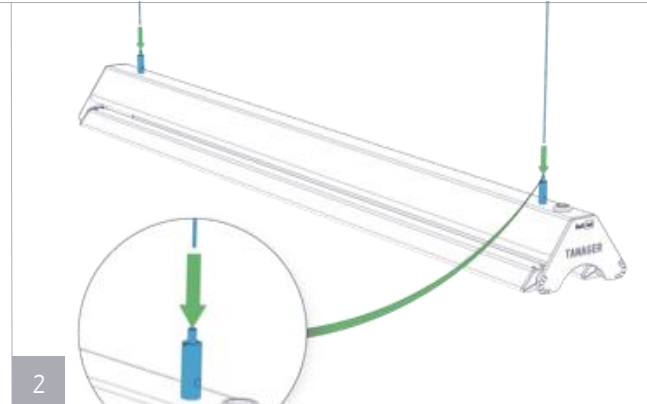
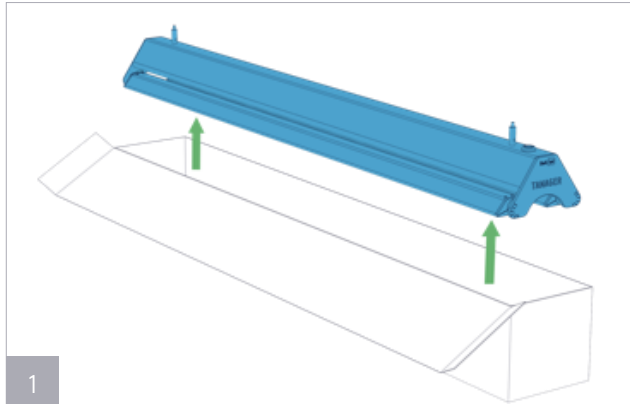
CABLE MOUNTING

RoHS Compliant

CE



F



© 2018, All rights reserved BaltLED, UAB. Specifications are subject to change without notice.

5 YEARS WARRANTY

TANAGER INDUSTRIAL LUMINAIRE INSTALLATION GUIDE

IP20

CABLE MOUNTING

RoHS Compliant

CE

—

F

