

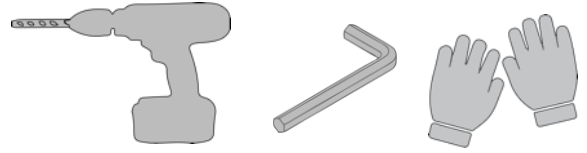
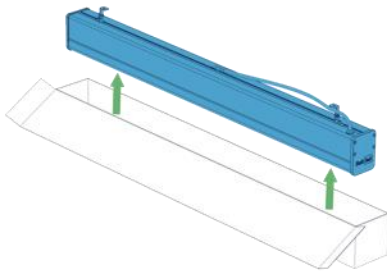
5 YEARS WARRANTY

FULMAR INDUSTRIAL LUMINAIRES INSTALLATION GUIDE

READ THE INSTRUCTIONS CAREFULLY BEFORE STARTING

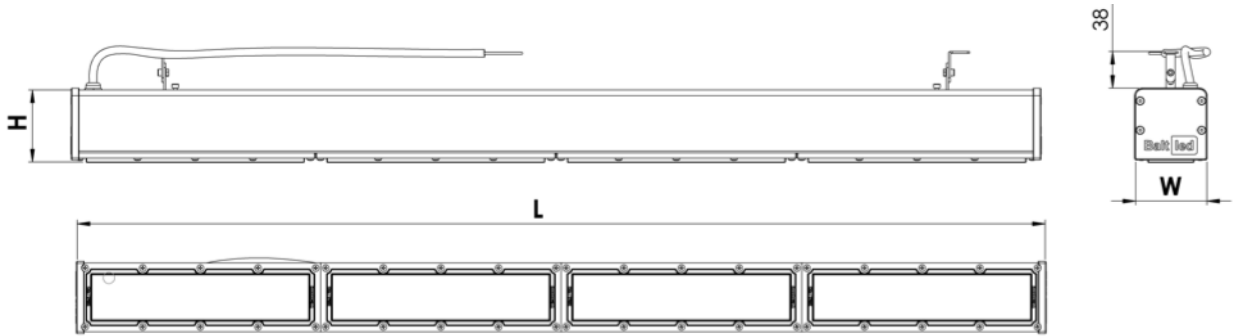
IP65

RoHS Compliant



INSIDE THE BOX

NEEDED FOR MOUNTING



| L, mm | W, mm | H, mm |
|---|-------|-------|
| 252 / 277 / 520 / 1007 / 1010 / 1506 / 2010 | 75 | 75* |

*Fulmar luminaires are the same height except for Fulmar H 120 and Fulmar HT 120, which H = 100 mm

WARNING

- Turn power off before inspection, installation or removal.
- Properly ground electrical enclosure.
- Perform installation in dry location only.
- Luminaire may fall down if not installed properly.
- Avoid direct eye exposure to the light source while it is on.
- For indoor use only.
- Do not operate luminaire with damaged parts.
- To prevent wiring damage or abrasion, do not expose wiring to edges of sheet metal or other sharp objects.
- The manufacturer shall not be liable for any damage resulting from inappropriate modifications to the luminaire or faulty installation.

If you have any questions, contact the manufacturer.

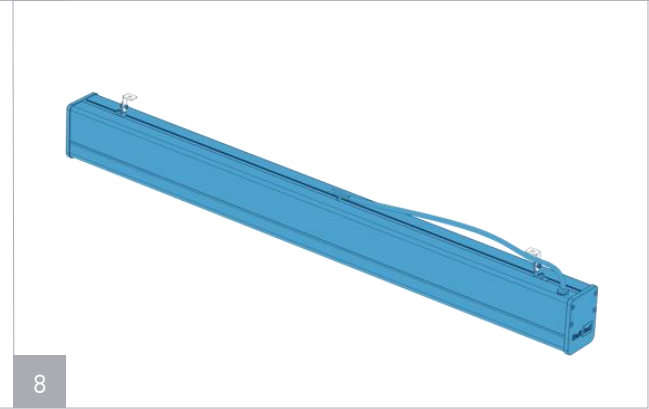
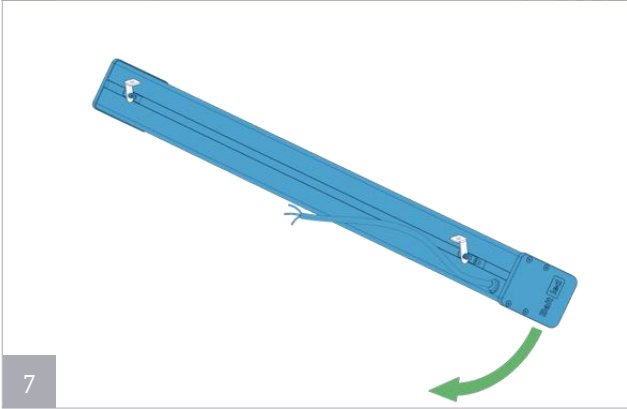
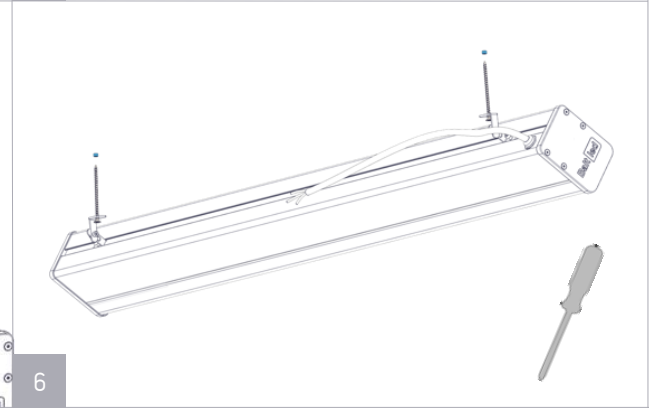
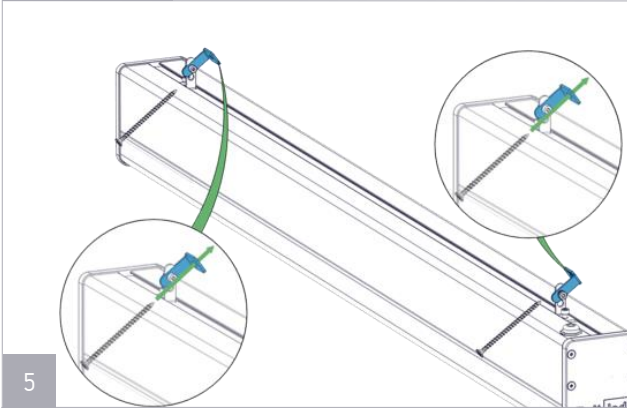
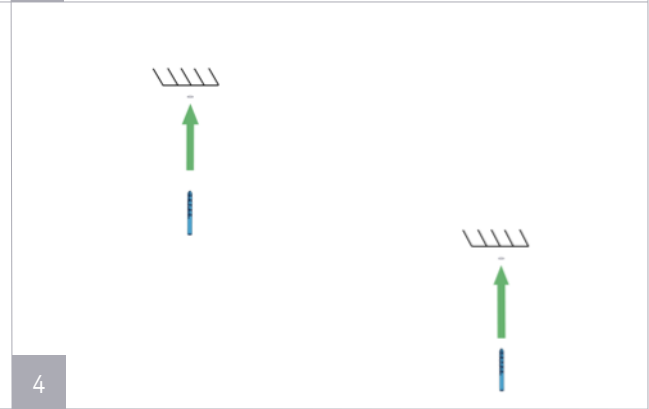
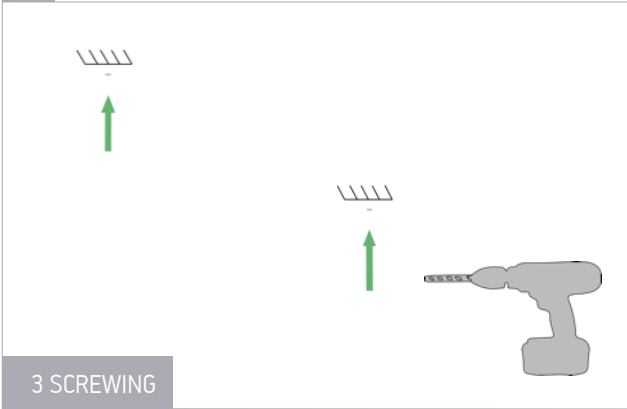
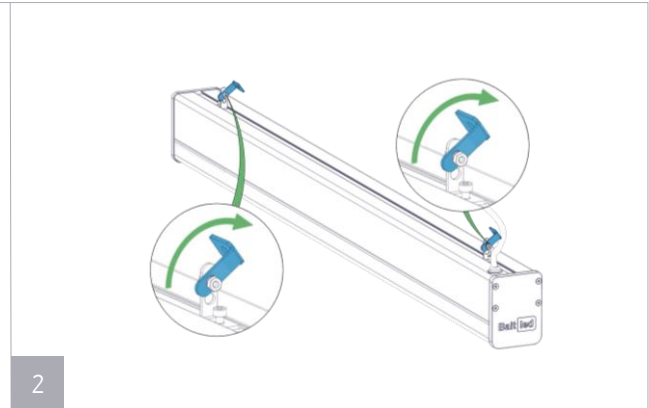
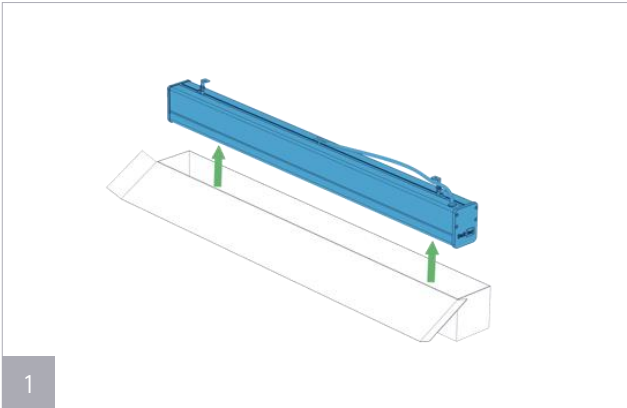
5 YEARS WARRANTY

FULMAR INDUSTRIAL LUMINAIRES INSTALLATION GUIDE

SURFACE MOUNTING

IP65

RoHS Compliant



© 2018, All rights reserved BaltLED, UAB. Specifications are subject to change without notice.

5 YEARS WARRANTY

FULMAR INDUSTRIAL LUMINAIRES INSTALLATION GUIDE

SURFACE MOUNTING

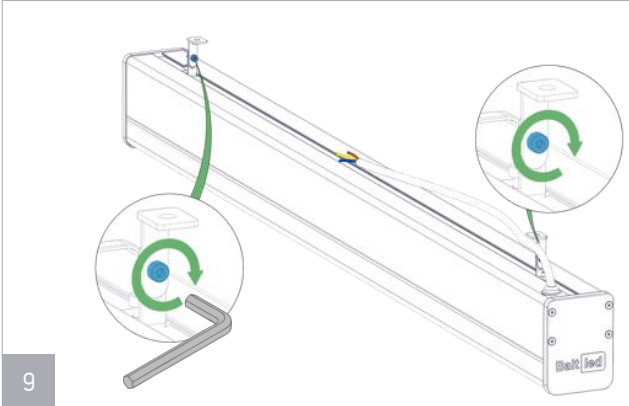
IP65

RoHS Compliant

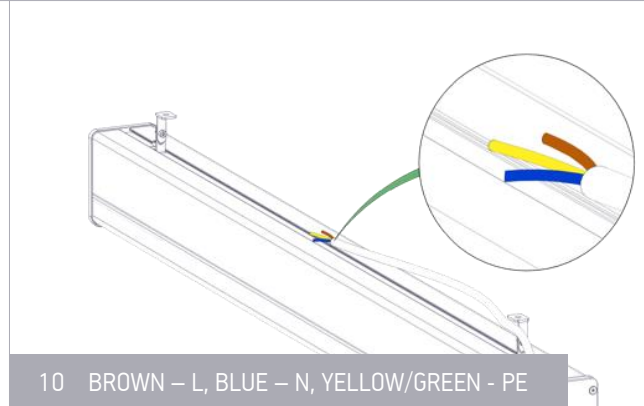
CE

WEEE

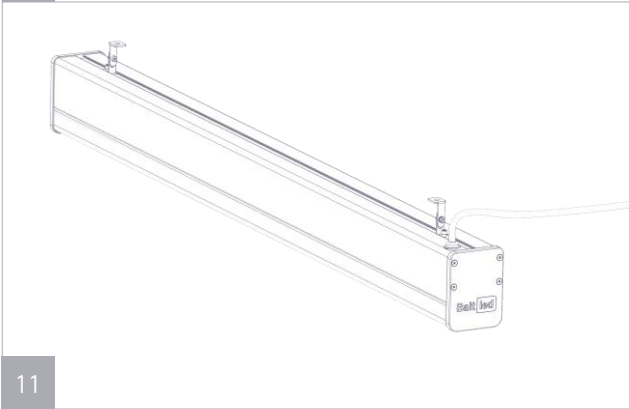
F



9



10 BROWN – L, BLUE – N, YELLOW/GREEN - PE



11

CONNECTION SCHEME

STANDARD

- (L) – line (brown)
- (N) – neutral (blue)
- (PE) – protective earth (green/yellow)

EMERGENCY

- (L) – line (brown)
- (N) – neutral (blue)
- (PE) – protective earth (green/yellow)
- EMERGENCY (L) – line (black)
- EMERGENCY (N) – neutral (grey)

DALI

- (L) – line
- (N) – neutral
- (PE) – protective earth (green/yellow)
- DALI line (black)
- DALI line (grey)

EMERGENCY + DALI

- (L) – line (brown)
- (N) – neutral (blue)
- (PE) – protective earth (green/yellow)
- EMERGENCY (L) – line (black)
- EMERGENCY (N) – neutral (grey)
- DALI line (white)
- DALI line (red)

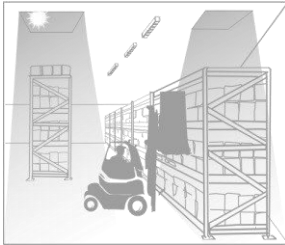
QUANTITY OF LUMINAIRES PER CIRCUIT BREAKER

| SKU | LUMINAIRE QTY PER 16A TYPE C CIRCUIT BREAKER | LUMINAIRE QTY PER 25A TYPE C CIRCUIT BREAKER |
|----------------|--|--|
| BWLH-02584060 | 150 | 275 |
| BWLH-05084060 | 80 | 147 |
| BWLH-10084060 | 42 | 77 |
| BWLH-15084060 | 29 | 53 |
| BWLH-20084060 | 24 | 44 |
| BWLH-20184060 | 20 | 37 |
| BWLH-025840100 | 150 | 275 |
| BWLH-050840100 | 80 | 147 |
| BWLH-100840100 | 42 | 77 |
| BWLH-150840100 | 29 | 53 |
| BWLH-200840100 | 24 | 44 |
| BWLH-201840100 | 20 | 37 |
| BWLH-025840120 | 130 | 238 |
| BWLH-050840120 | 80 | 147 |
| BWLH-100840120 | 40 | 73 |
| BWLH-150840120 | 27 | 50 |

MOTION AND LIGHT SENSOR

IP65

RoHS Compliant



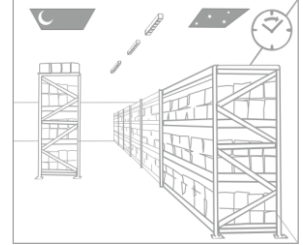
With sufficient ambient lux level, light keeps off even when motion is detected.



Light is on when sensor detects the motion and the ambient lux level is insufficient



When no more motion is detected, the light dims entering standby mode after hold time.



The lights turns off automatically after standby mode.

SET-UP CONFIGURATIONS

1. Detection area

This determines the effective range of the motion detector.

- I – 100 %
- II – 75 %
- III – 50 %
- IV – 10 %



| | 1 | 2 | |
|-----|---|---|-------|
| I | ● | ● | 100 % |
| II | ● | ○ | 75 % |
| III | ○ | ● | 50 % |
| IV | ○ | ○ | 10 % |

2. Hold time

This is the minimum amount of time that the luminaire will remain at 100% light output after no motion is detected.

- I – 5 s
- II – 30 s
- III – 1 min
- IV – 5 min
- V – 10 min
- VI – 20 min



| | 3 | 4 | 5 | |
|-----|---|---|---|--------|
| I | ● | ● | ● | 5 s |
| II | ○ | ● | ● | 30 s |
| III | ● | ○ | ● | 1 min |
| IV | ● | ● | ○ | 5 min |
| V | ○ | ○ | ● | 10 min |
| VI | ○ | ● | ○ | 20 min |
| VII | ○ | ○ | ○ | 30 min |

3. Daylight sensor

This setting determines when there is insufficient daylight for natural lighting. In disable mode luminaire will always turn on upon movement.

- I – Disable
- II – 50 lux
- III – 10 lux
- IV – 2 lux



| | 6 | 7 | |
|-----|---|---|---------|
| I | ● | ● | Disable |
| II | ● | ○ | 50 lux |
| III | ○ | ● | 10 lux |
| IV | ○ | ○ | 2 lux |

4. Corridor function

This determines standby time that the light remains dimmed before it is completely turned off.

- I – 0 s
- II – 10 s
- III – 1 min
- IV – 5 min
- V – 10 min
- VI – 30 min
- VII – 1 h
- VIII – + ∞



| | 8 | 9 | 10 | |
|------|---|---|----|--------|
| I | ● | ● | ● | 0 s |
| II | ○ | ● | ● | 10 s |
| III | ● | ○ | ● | 1 min |
| IV | ● | ● | ○ | 5 min |
| V | ○ | ○ | ● | 10 min |
| VI | ○ | ● | ○ | 30 min |
| VII | ● | ○ | ○ | 1 h |
| VIII | ○ | ○ | ○ | + ∞ |

5. Standby dim level

Light can be dimmed to different levels after hold time.

- I – 10 %
- II – 20 %
- III – 30 %
- IV – 50 %



| | 11 | 12 | |
|-----|----|----|------|
| I | ● | ● | 10 % |
| II | ● | ○ | 20 % |
| III | ○ | ● | 30 % |
| IV | ○ | ○ | 50 % |