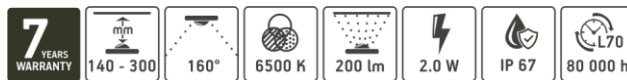


CROWN OPTO X4



ITEM DESCRIPTION



With Crown OPTO X4 we introduce a new member for Crown OPTO family for big letters and one sided light box. Designed for depths ranging from 140 to 300 mm, these modules also enable you to reduce installation time and save up on module quantity. As they can be installed with 350 mm step, you need 20% less modules for 1 m² than with previous solutions. Powered by Philips Lumiled, they show extreme endurance at harsh working conditions (IP67) and have 7 year warranty with L70 for 80,000 hours.

APPLICATION

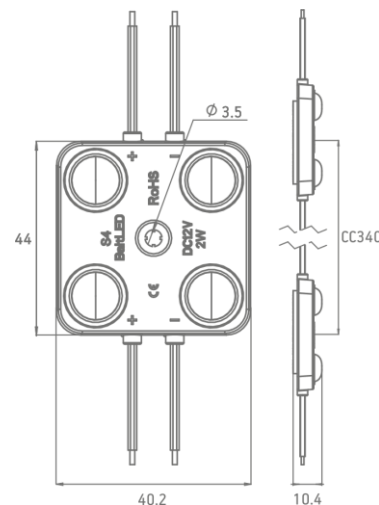
- Big letters and one sided light box
- Recommended depth 140 – 300 mm
- Red, green and blue colours available

FEATURES & BENEFITS

- Powered by Philips Lumiled
- CRI > 83
- Extreme environment and conditions housing
- Easy and fast installation cables
- Made in Europe
- IP67 protection class
- 7 years warranty

GENERAL SPECIFICATIONS

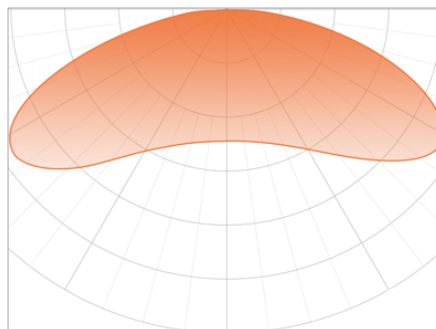
SUPPLY VOLTAGE	12 VDC
POWER	1.6; 2 W
RECOMMENDED DEPTH	From 140 to 300 mm
CC DISTANCE	350 mm
BINNING	3 SDCM
OPERATING TEMPERATURE	-40 °C ~ +60 °C
STORAGE TEMPERATURE	+5 °C ~ +35 °C
STORAGE CONDITIONS	Relative humidity <60%
CERTIFICATION	CE and RoHS compliant
IP CLASS	IP 67
LIFETIME	L70 80,000 h (white) L70 60,000 h (other)
WARRANTY	7 years (white)* 5 years (other)*



* Dimensions are in mm

*Warranty is applied only and if storage, mounting and maintenance conditions, stated in the installation guide, are followed.

LIGHT DISTRIBUTION GRAPH



Beam angle: 160°

ORDERING INFORMATION

SKU	POWER, W	LUMEN OUTPUT, LM	COLOUR	STATUS
BMP-X4.2-04UH160CW75NS	2.0	200	7500 K	PRE-ORDER*
BMP-X4.2-04UH160CW70NS	2.0	200	7000 K	PRE-ORDER*
BMP-X4.2-04UH160CW65NS	2.0	200	6500 K	IN STOCK
BMP-X4.2-04UH160NW40NS	2.0	200	4000 K	PRE-ORDER*
BMP-X4.2-04UH160WW30NS	2.0	180	3000 K	PRE-ORDER*
BMP-X4.2-04UH160RC	1.6	68	red	PRE-ORDER*
BMP-X4.2-04UH160GC	2.0	150	green	PRE-ORDER*
BMP-X4.2-04UH160BC	2.0	36	blue	PRE-ORDER*

* Pre-order products will be available only with MOQ from 3000 EUR, lead time 3 – 8 weeks. For precise lead time, contact your Customer Service manager.

CHAIN	BAG	BOX
30 pcs (net weight: 0.87 kg)	60 pcs (net weight: 1.75 kg)	360 pcs (net weight: 10.8 kg)

© 2018, All rights reserved BaltLED, UAB. Specifications are subject to change without notice.