

CROWN OPTO X3



ITEM DESCRIPTION

With Crown OPTO X3 we introduce a new member for Crown OPTO family for one-sided signs. Designed for depths ranging from 140 to 250 mm, these modules also enable you to reduce installation time and save up on module quantity. As they can be installed with 320 mm step, you need 20% less modules for 1 m² than with previous solutions. Powered by Philips Lumiled, they show extreme endurance at harsh working conditions (IP67) and have 7 year warranty with L70 for 80,000 hours.

APPLICATION

- One-sided signs and light boxes
- Recommended depth 140 – 250 mm
- Red, green and blue colours available

FEATURES & BENEFITS

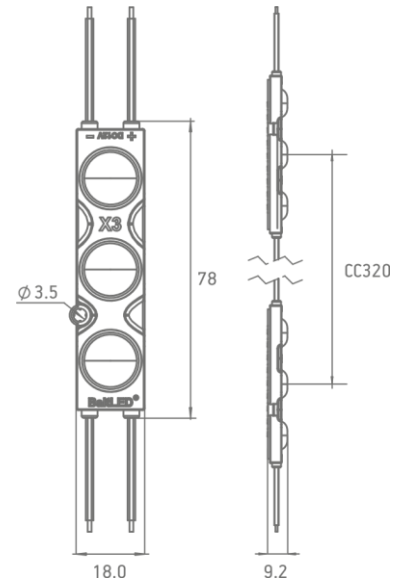
- Powered by Philips Lumiled
- CRI > 83
- Extreme environment and conditions housing
- Easy and fast installation cables
- Made in Europe
- IP67 protection class
- 7 year warranty



GENERAL SPECIFICATIONS

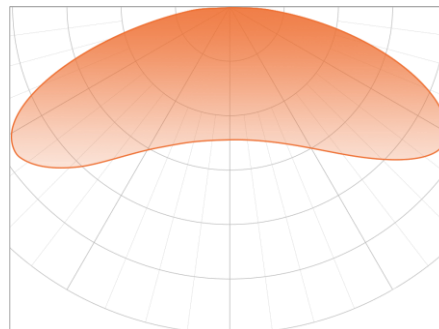
| | |
|-----------------------|--|
| SUPPLY VOLTAGE | 12 VDC |
| POWER | 1.2; 1.5 W |
| RECOMMENDED DEPTH | From 140 to 250 mm |
| CC DISTANCE | 320 mm |
| BINNING | 3 SDCM |
| OPERATING TEMPERATURE | -40 °C ~ +60 °C |
| STORAGE TEMPERATURE | +5 °C ~ +35 °C |
| STORAGE CONDITIONS | Relative humidity <60% |
| CERTIFICATION | CE and RoHS compliant |
| IP CLASS | IP 67 |
| LIFETIME | L70 80,000 h (white) L70 60,000 h (other) |
| WARRANTY | 7 years (white)* 5 years (other)* |

*Warranty is applied only and if storage, mounting and maintenance conditions, stated in the installation guide, are followed.



* Dimensions are in mm

LIGHT DISTRIBUTION GRAPH



Beam angle: 160°

ORDERING INFORMATION

| SKU | POWER, W | LUMEN OUTPUT, LM | COLOUR | STATUS |
|------------------------|----------|------------------|--------|------------|
| BMP-X3.2-03UH160CW75NS | 1.5 | 152 | 7500 K | PRE-ORDER* |
| BMP-X3.2-03UH160CW70NS | 1.5 | 152 | 7000 K | PRE-ORDER* |
| BMP-X3.2-03UH160CW65NS | 1.5 | 152 | 6500 K | IN STOCK |
| BMP-X3.2-03UH160NW40NS | 1.5 | 152 | 4000 K | IN STOCK |
| BMP-X3.2-03UH160WW30NS | 1.5 | 137 | 3000 K | PRE-ORDER* |
| BMP-X3.2-03UH160RC | 1.2 | 51 | red | PRE-ORDER* |
| BMP-X3.2-03UH160GC | 1.5 | 105 | green | PRE-ORDER* |
| BMP-X3.2-03UH160BC | 1.5 | 27 | blue | PRE-ORDER* |

* Pre-order products will be available only with MOQ from 3000 EUR, lead time 3 – 8 weeks. For precise lead time, contact your Customer Service manager.

| CHAIN | BAG | BOX |
|------------------------------|------------------------------|-------------------------------|
| 30 pcs (net weight: 0.57 kg) | 90 pcs (net weight: 1.76 kg) | 540 pcs (net weight: 10.8 kg) |

© 2018, All rights reserved BaltLED, UAB. Specifications are subject to change without notice.