

# CROWN OPTO STAR



## ITEM DESCRIPTION

With Crown OPTO STAR we enable fast and cost-effective illumination of medium-big depth channel letters and light boxes. Carbon fiber plastic housing and patented ventilation system allowed us to make lightweight module with impressive ventilation. Therefore, high-power LED could be installed.

## APPLICATION

- Medium-big depth letters and one sided light boxes
- Recommended depth 200 – 300 mm

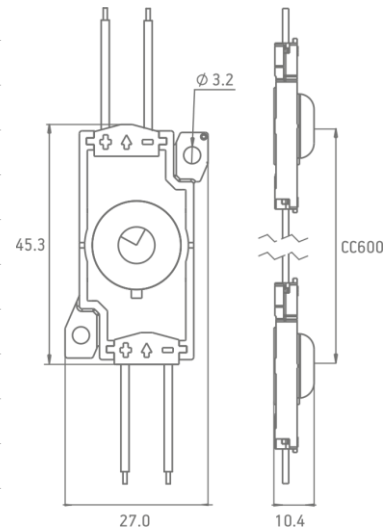
## FEATURES & BENEFITS

- CRI > 70
- High efficiency over 115 lm/W
- Carbon fiber plastic housing
- Patented ventilation system
- LM-80 LED certified
- IP67 protection class
- 5 year warranty

## GENERAL SPECIFICATIONS

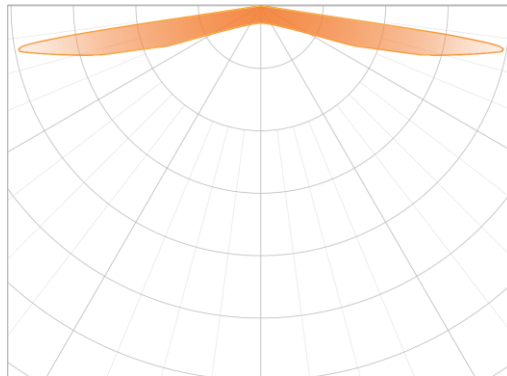
SUPPLY VOLTAGE	700 mA
POWER	2 W
RECOMMENDED DEPTH	From 200 to 300 mm
CC DISTANCE	600 mm
BINNING	3 SDCM
OPERATING TEMPERATURE	-35 °C ~ +50 °C
STORAGE TEMPERATURE	+5 °C ~ +90 °C
STORAGE CONDITIONS	Relative humidity <60%
CERTIFICATION	CE and RoHS compliant
IP CLASS	IP 67
LIFETIME	L70 60,000 h
WARRANTY	5 years*

\*Warranty is applied only and if storage, mounting and maintenance conditions, stated in the installation guide, are followed.



\* Dimensions are in mm

## LIGHT DISTRIBUTION GRAPH



Beam angle: 165°

## ORDERING INFORMATION

PRODUCT NAME	POWER, W	LUMEN OUTPUT, LM	COLOUR TEMP.	STATUS
BMP-S51.2-01DU165W1	2	230	6600 K	PRE-ORDER*

\* Pre-order products will be available only with MOQ from 3000 EUR, lead time 3 – 8 weeks. For precise lead time, contact your Customer Service manager.

CHAIN	BAG	BOX
15 pcs (net weight: 0.232 kg)	30 pcs (net weight: 0.464 kg)	900 pcs (net weight: 15.100kg)