

BP5P-V12-60.1

60 W CONSTANT VOLTAGE LED DRIVER



FEATURES

- Constant voltage type power supply
- Power Factor Correction
- 100 – 240 VAC input
- IP67 protection class
- UL1310 Class 2 power unit, pass LPS
- 100% full load burn-in tested
- Designed for LED lighting and signage applications
- 5 years warranty

CONFORMITY & STANDARDS

- EN60950-1
- EN61347-2-13
- EN55015
- EN55022 Class B
- EN 61000-3-2,-3
- EN61000-4-2,3,4,5,6,8,11
- EN50204
- EN55024
- EN61547



Balt led

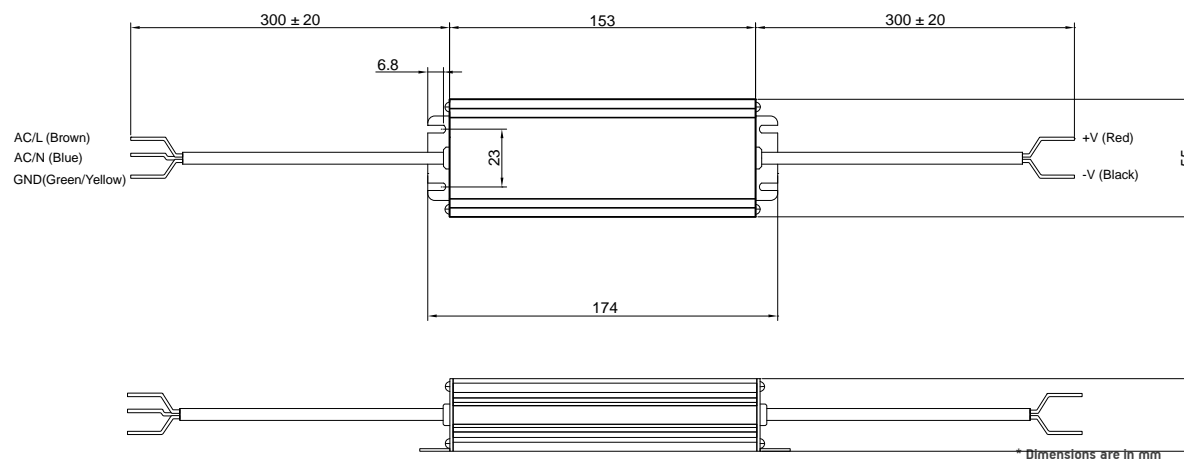
GENERAL SPECIFICATIONS

| | |
|----------------------|---|
| EFFICIENCY | 84 % |
| TURN ON DELAY | 0.2 s |
| OPERATING CONDITIONS | -30 °C ~ +50 °C; 20 ~ 90% humidity |
| STORAGE CONDITIONS | -40 °C ~ +80 °C; 10 ~ 95% humidity |
| IP CLASS | IP67 |
| PROTECTIONS INCLUDED | Over current Short circuit Over voltage Over temperature |
| WARRANTY | 5 years, 45 000 h |

QUANTITY OF DRIVERS PER CIRCUIT BREAKER

| | |
|---------------------------|---------------------------|
| CIRCUIT BREAKER OF TYPE B | CIRCUIT BREAKER OF TYPE C |
| 9 units (at 230 VAC) | 16 units (at 230 VAC) |

DIMENSIONS



INPUT

| | |
|----------------------|--------------------------------|
| INPUT VOLTAGE RANGE | 100 – 240 VAC; (47 – 63 Hz) |
| MAX INPUT AC CURRENT | 0.6 A |
| MAX INRUSH CURRENT | 65 A |
| POWER FACTOR | 0.95 |

OUTPUT

| | |
|----------------|---------|
| MAX LOAD | 5 A |
| OUTPUT CURRENT | 0 – 5 A |
| OUTPUT VOLTAGE | 12 VDC |
| OUTPUT POWER | 60 W |

ORDERING INFORMATION

| SKU | UNIT NET WEIGHT, G | UNIT DIMENSIONS, MM |
|---------------|--------------------|---------------------|
| BP5P-V12-60.1 | 680.5 | 174 x 55 x 37.3 |