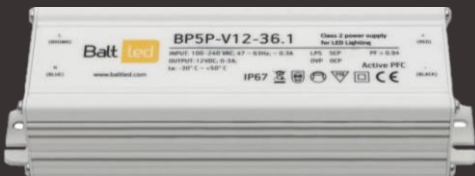


# BP5P-V12-36.1

36 W CONSTANT CURRENT  
LED DRIVER

Balt led



## FEATURES

- Constant voltage type power supply
- Power Factor Correction
- 100 – 240 VAC input
- IP67 protection class
- 100% full load burn-in tested
- Designed for LED lighting and signage applications
- 5 years warranty

## CONFORMITY & STANDARDS

- EN60950-1
- EN61347-1
- EN61347-2-13
- EN55015
- EN55022 Class B
- EN61000-4-2,3,4,5,6,8,11
- EN61547

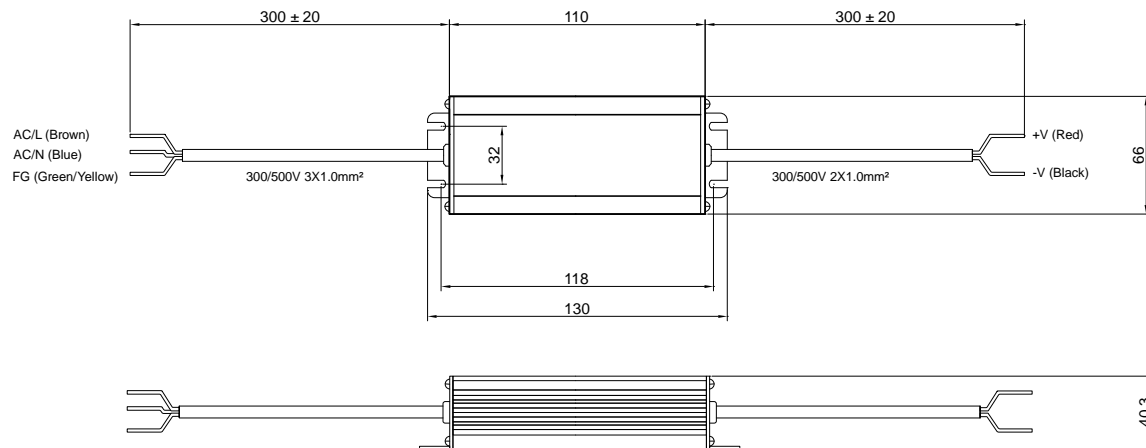
## GENERAL SPECIFICATIONS

EFFICIENCY	90 %
TURN ON DELAY	0.2 s
OPERATING CONDITIONS	-30 °C ~ +50 °C; 20 ~ 90% humidity
STORAGE CONDITIONS	-40 °C ~ +80 °C; 10 ~ 95% humidity
IP CLASS	IP67
PROTECTIONS INCLUDED	Over current Short circuit Over voltage
WARRANTY	5 years, 45 000 h

## QUANTITY OF DRIVERS PER CIRCUIT BREAKER

CIRCUIT BREAKER OF TYPE B	CIRCUIT BREAKER OF TYPE C
12 units (at 230 VAC)	20 units (at 230 VAC)

## DIMENSIONS



## INPUT

INPUT VOLTAGE RANGE	100 – 240 VAC; (47 – 63 Hz)
MAX INPUT AC CURRENT	0.3 A
MAX INRUSH CURRENT	70 A
POWER FACTOR	0.94

## OUTPUT

MAX LOAD	3 A
OUTPUT CURRENT	0 – 3 A
OUTPUT VOLTAGE	12 VDC
OUTPUT POWER	36 W

## ORDERING INFORMATION

SKU	UNIT NET WEIGHT, G	UNIT DIMENSIONS, MM
BP5P-V12-36.1	600	130 x 66 x 40.3