

# BP5P-C700-60.1

60 W CONSTANT CURRENT  
LED DRIVER



## FEATURES

- Constant current type power supply
- Power Factor Correction
- 100 – 240 VAC input
- IP67 protection class
- UL1310 Class 2 power unit, pass LPS
- 100% full load burn-in tested
- Designed for LED lighting and signage applications
- 5 years warranty

## CONFORMITY & STANDARDS

- EN60950-1
- EN61347-2-13
- EN55015
- EN55022 Class B
- EN 61000-3-2,-3
- EN61000-4-2,3,4,5,6,8,11
- EN50204
- EN55024
- EN61547



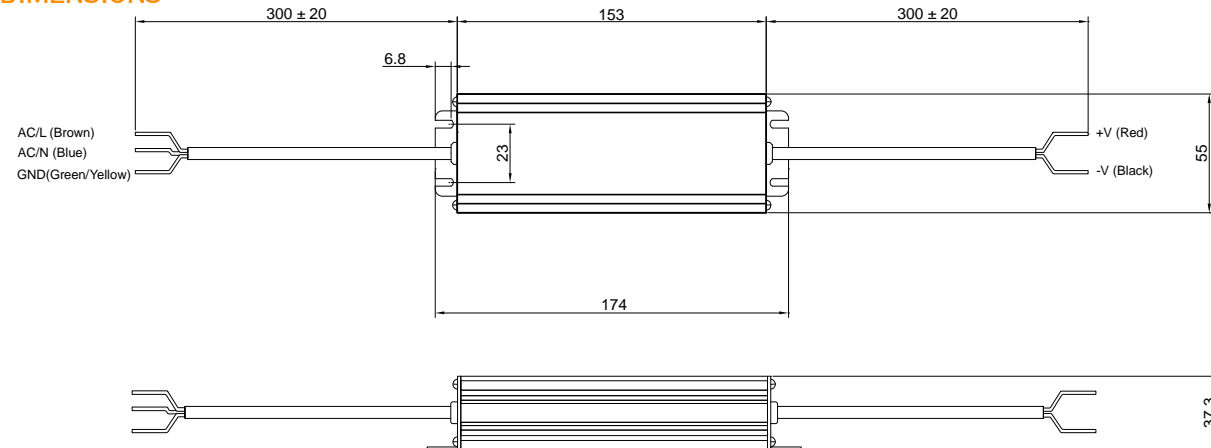
## GENERAL SPECIFICATIONS

|                      |   |
|----------------------|---|
| EFFICIENCY           | 88 %  |
| TURN ON DELAY        | 0.8 s   |
| OPERATING CONDITIONS | -30 °C ~ +50 °C; 20 ~ 90% humidity                                |
| STORAGE CONDITIONS   | -40 °C ~ +80 °C; 10 ~ 95% humidity                                |
| IP CLASS             | IP67  |
| PROTECTIONS INCLUDED | Over current<br>Short circuit<br>Over voltage<br>Over temperature |
| WARRANTY             | 5 years, 45 000 h   |

## QUANTITY OF DRIVERS PER CIRCUIT BREAKER

| CIRCUIT BREAKER OF TYPE B | CIRCUIT BREAKER OF TYPE C |
|---------------------------|---------------------------|
| 9 units (at 230 VAC)      | 16 units (at 230 VAC)     |

## DIMENSIONS



\* Dimensions are in mm

## INPUT

|                      |                                |
|----------------------|--------------------------------|
| INPUT VOLTAGE RANGE  | 100 – 240 VAC;<br>(47 – 63 Hz) |
| MAX INPUT AC CURRENT | 0.6 A                          |
| MAX INRUSH CURRENT   | 65 A                           |
| POWER FACTOR         | 0.95                           |

## OUTPUT

|                |             |
|----------------|-------------|
| MAX LOAD       | 80 V        |
| OUTPUT CURRENT | 0.7 A ± 5%  |
| OUTPUT VOLTAGE | 40 – 80 VDC |
| OUTPUT POWER   | 56 W        |

## ORDERING INFORMATION

| SKU            | UNIT NET WEIGHT, G | UNIT DIMENSIONS, MM |
|----------------|--------------------|---------------------|
| BP5P-C700-60.1 | 715.5              | 174 x 55 x 37.3     |