

5 YEARS WARRANTY

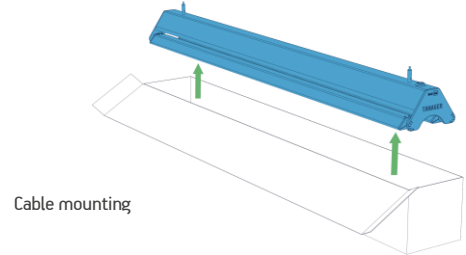
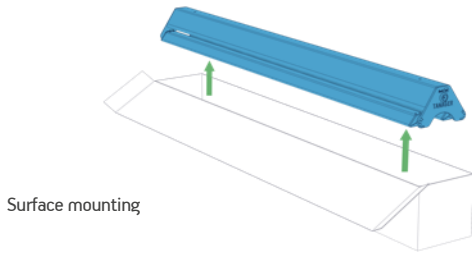
IP20

RoHS Compliant

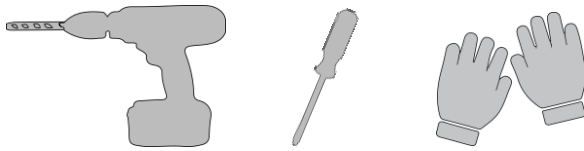


# TANGER INDUSTRIAL LUMINAIRE INSTALLATION GUIDE

## INSIDE THE BOX:



## NEEDED FOR MOUNTING:



L, mm	W, mm	H, mm
310 / 560 / 1060 / 1560	145.5	81 / 131.5*

\* With cable mounting

## WARNING

- Turn power off before inspection, installation or removal.
- Properly ground electrical enclosure.
- Luminaire may fall down if not installed properly.
- Avoid direct eye exposure to the light source while it is on.
- For indoor use only.
- Dry location only.
- Do not operate luminaire with damaged parts.
- To prevent wiring damage or abrasion, do not expose wiring to edges of sheet metal or other sharp objects.
- The manufacturer shall not be liable for any damage resulting from inappropriate modifications to the luminaire or faulty installation.

*If you have any questions, contact the manufacturer.*

5 YEARS WARRANTY

IP20

RoHS Compliant

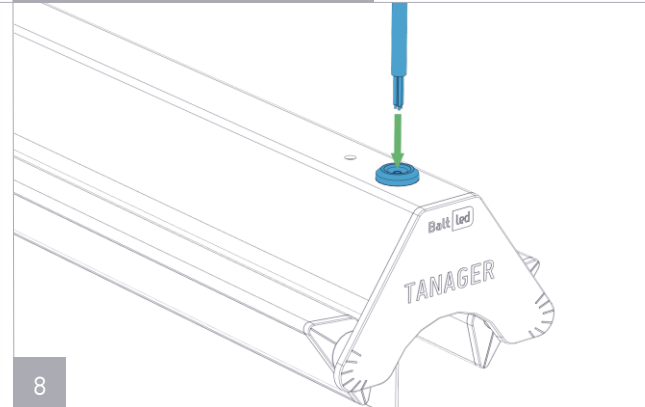
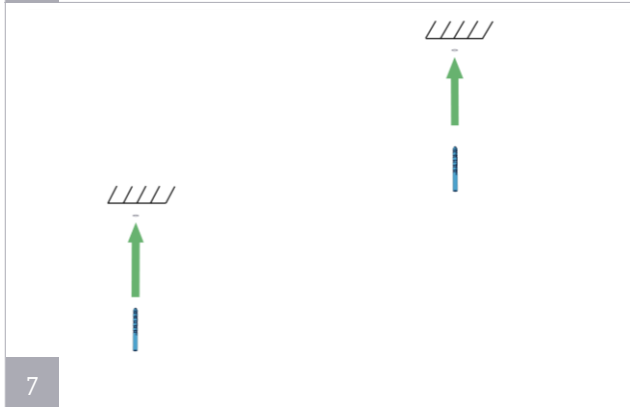
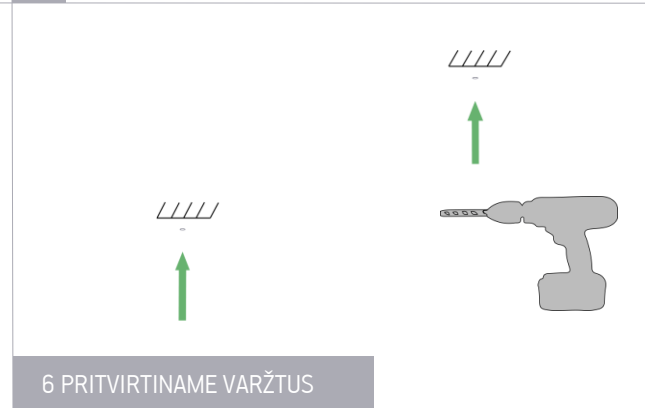
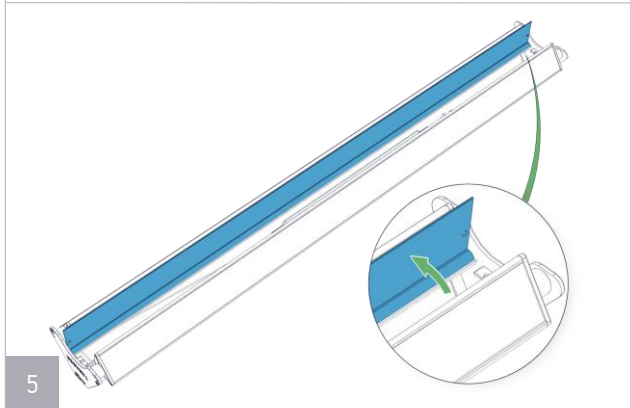
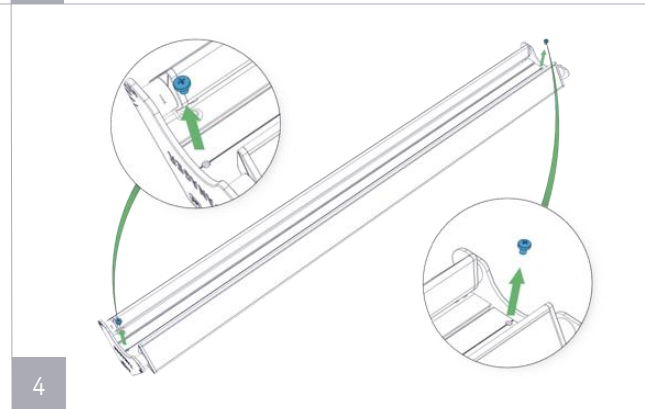
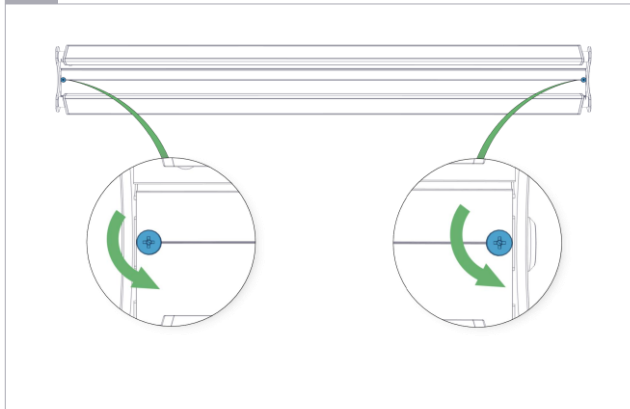
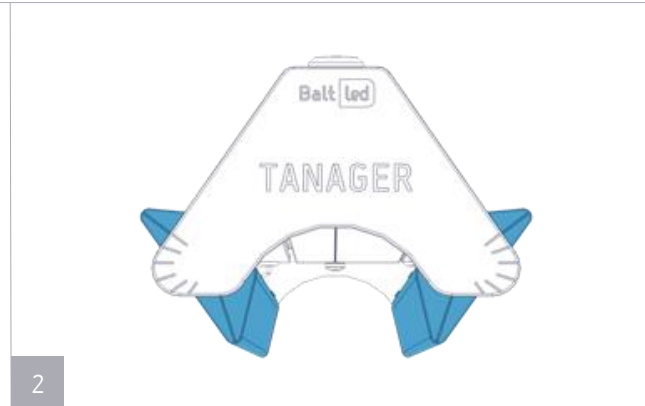
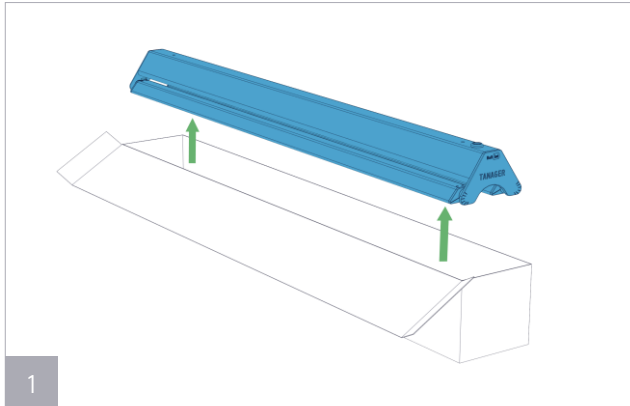
CE

—

F

# TANAGER INDUSTRIAL LUMINAIRE INSTALLATION GUIDE

## SURFACE MOUNTING



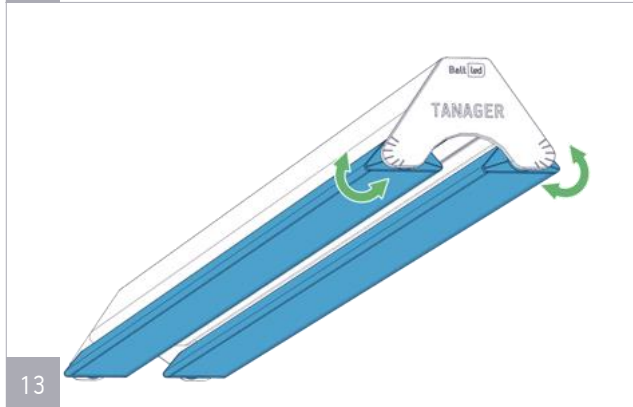
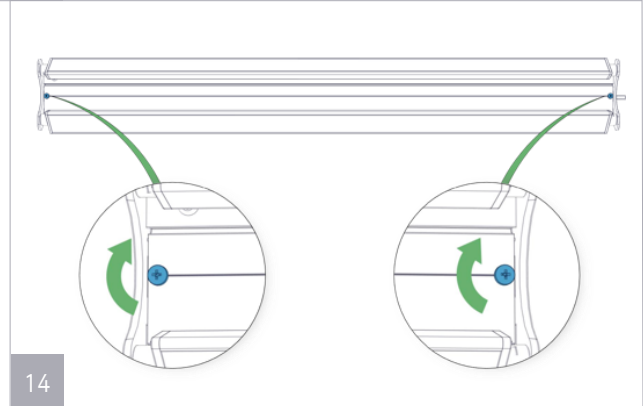
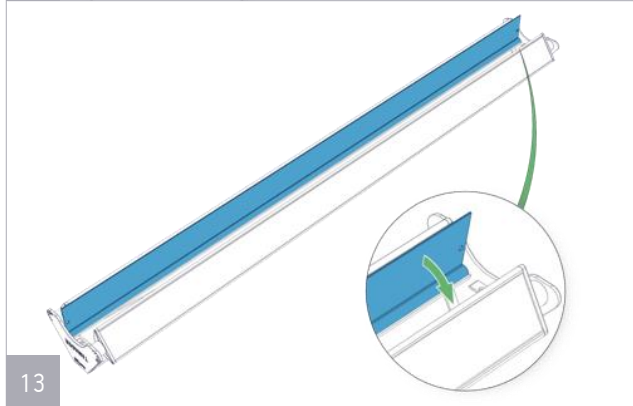
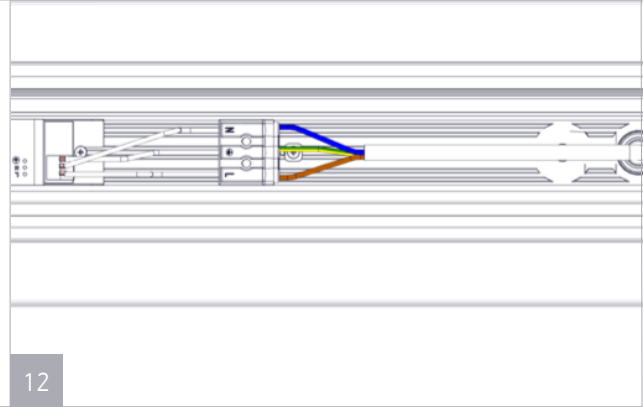
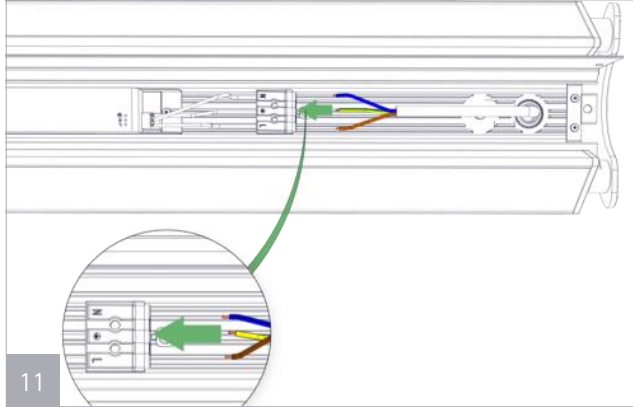
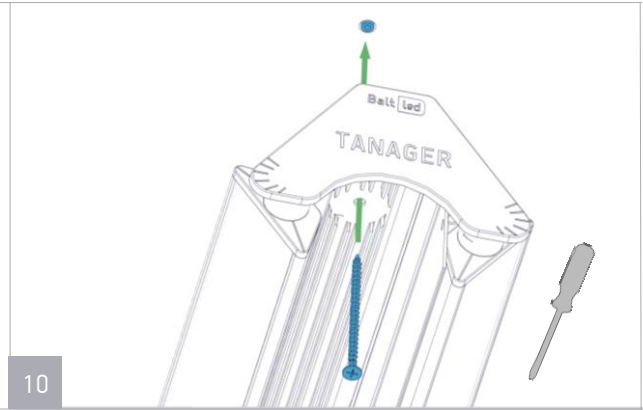
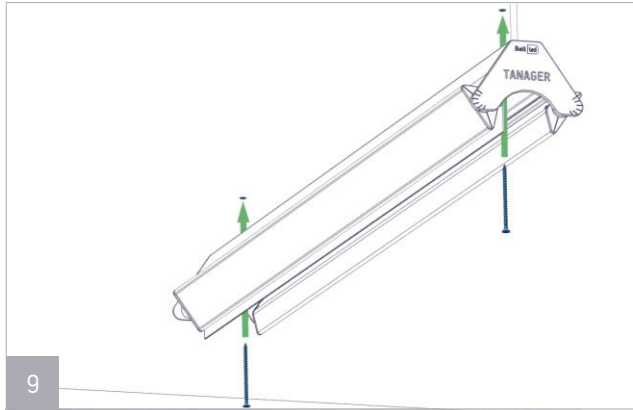
5 YEARS WARRANTY

# TANAGER INDUSTRIAL LUMINAIRE INSTALLATION GUIDE

IP20

## SURFACE MOUNTING

RoHS Compliant



5 YEARS WARRANTY

# TANAGER INDUSTRIAL LUMINAIRE INSTALLATION GUIDE

IP20

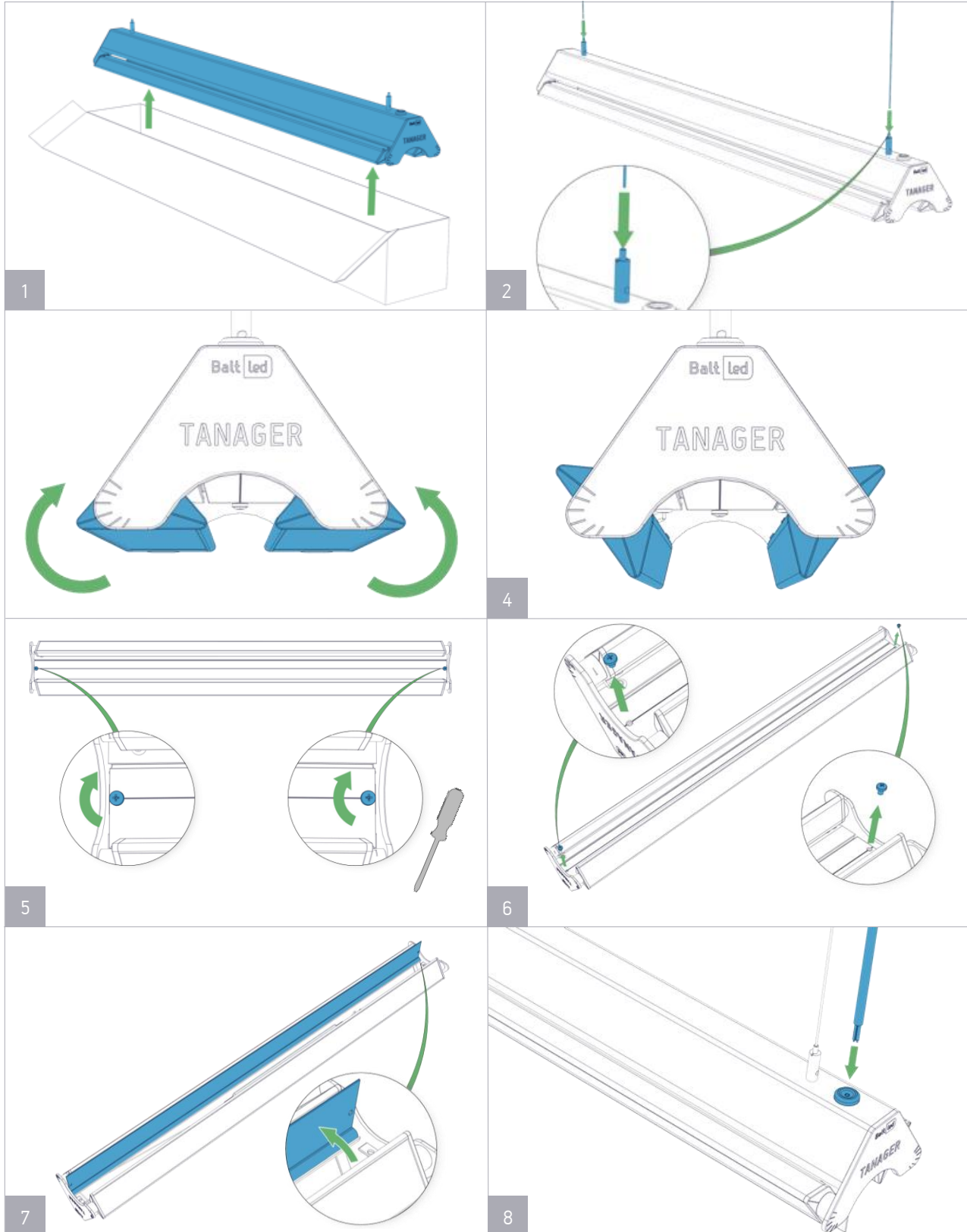
## CABLE MOUNTING

RoHS Compliant

CE

—

F



© 2018, All rights reserved BaltLED, UAB. Specifications are subject to change without notice.

5 YEARS WARRANTY

# TANAGER INDUSTRIAL LUMINAIRE INSTALLATION GUIDE

IP20

## CABLE MOUNTING

RoHS Compliant

CE

—

F

