

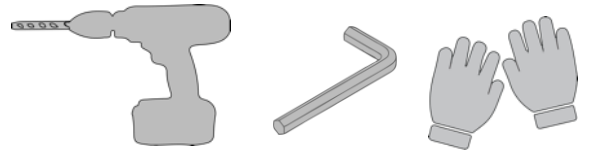
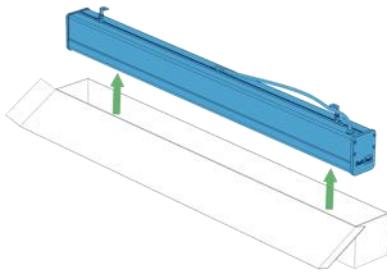
5 YEARS WARRANTY

FULMAR INDUSTRIAL LUMINAIRES INSTALLATION GUIDE

READ THE INSTRUCTIONS CAREFULLY BEFORE STARTING

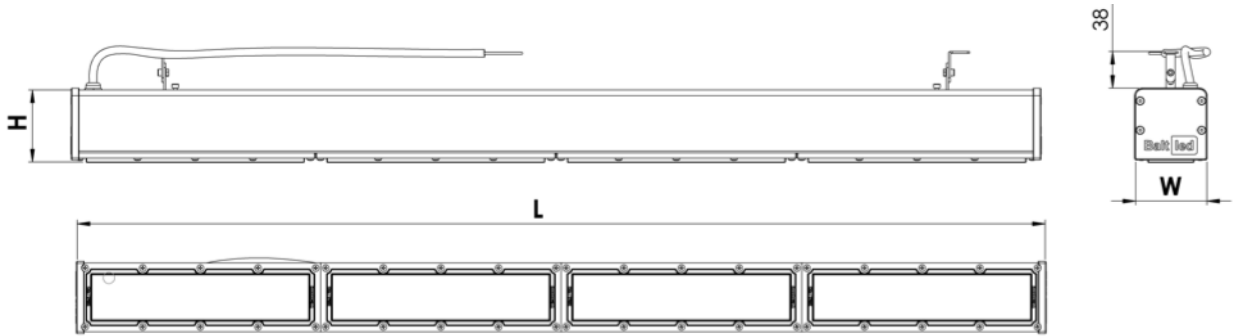
IP65

RoHS Compliant



INSIDE THE BOX

NEEDED FOR MOUNTING



L, mm	W, mm	H, mm
252 / 277 / 520 / 1007 / 1010 / 1506 / 2010	75	75*

*Fulmar luminaires are the same height except for Fulmar H 120 and Fulmar HT 120, which H = 100 mm

WARNING

! Turn power off before inspection, installation or removal.

- Properly ground electrical enclosure.
- Perform installation in dry location only.
- Luminaire may fall down if not installed properly.
- Avoid direct eye exposure to the light source while it is on.
- For indoor use only.
- Do not operate luminaire with damaged parts.
- To prevent wiring damage or abrasion, do not expose wiring to edges of sheet metal or other sharp objects.

- The manufacturer shall not be liable for any damage resulting from inappropriate modifications to the luminaire or faulty installation.

If you have any questions, contact the manufacturer.

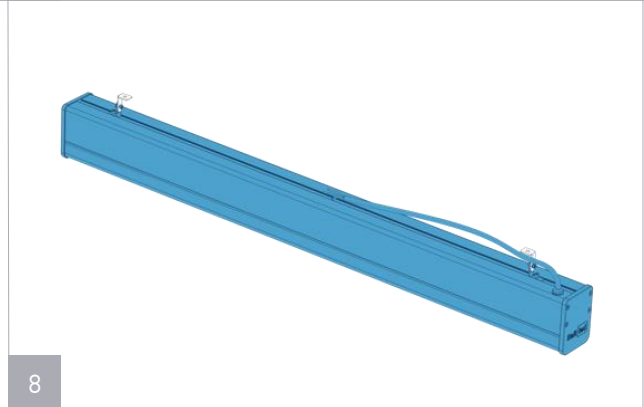
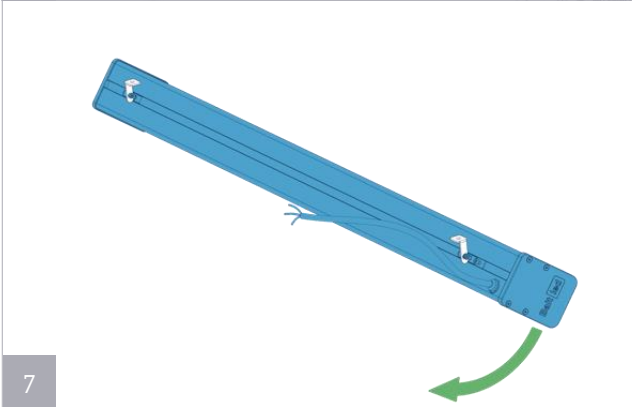
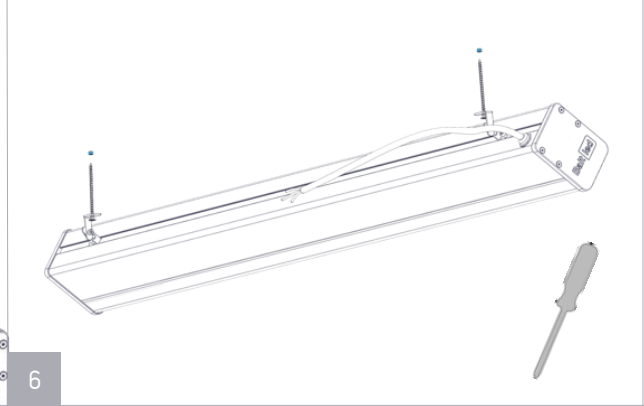
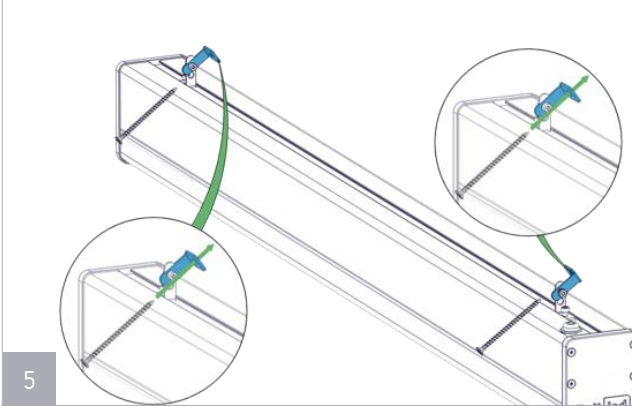
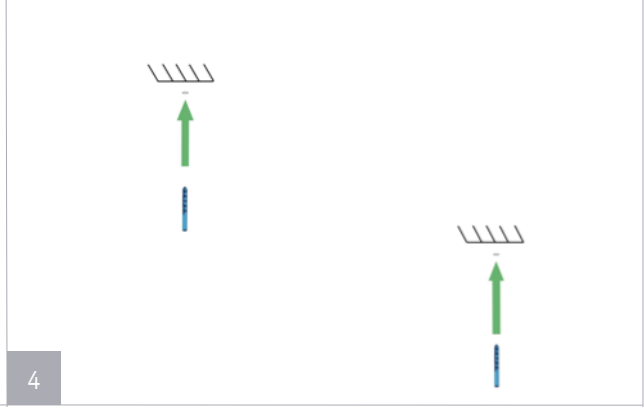
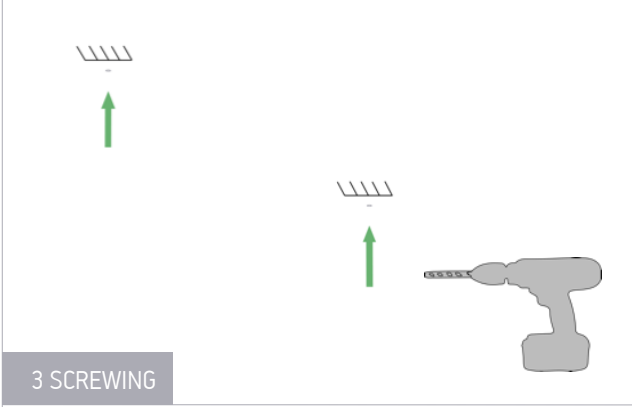
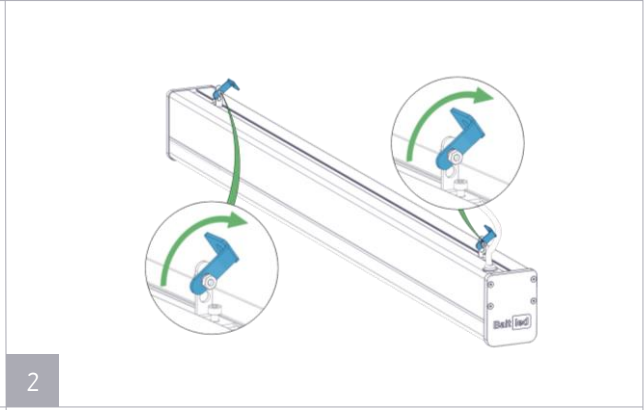
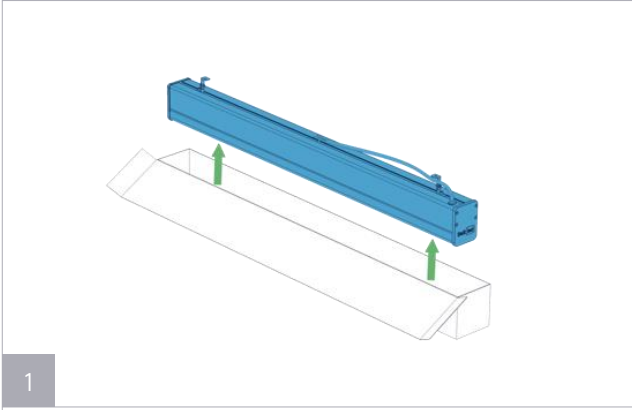
5 YEARS WARRANTY

FULMAR INDUSTRIAL LUMINAIRES INSTALLATION GUIDE

SURFACE MOUNTING

IP65

RoHS Compliant



© 2018, All rights reserved BaltLED, UAB. Specifications are subject to change without notice.

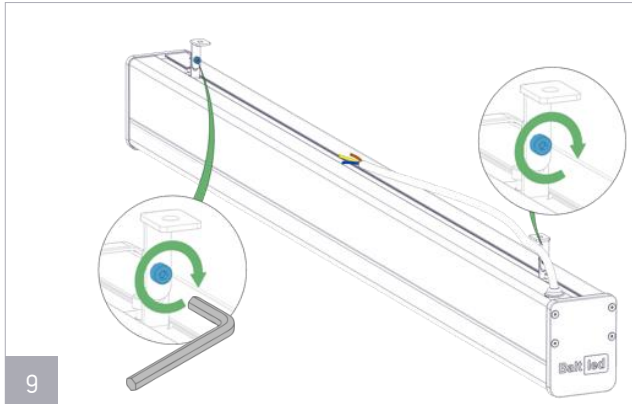
5 YEARS WARRANTY

FULMAR INDUSTRIAL LUMINAIRES INSTALLATION GUIDE

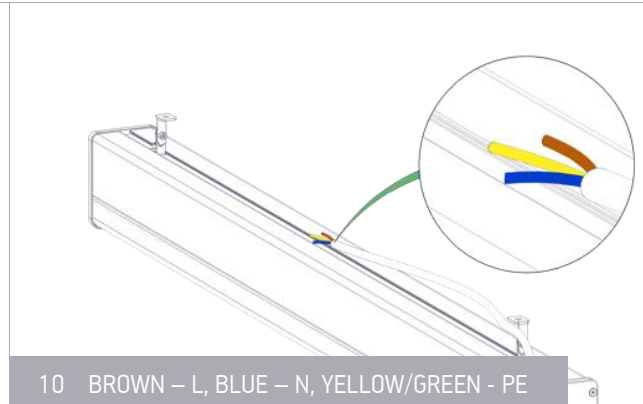
SURFACE MOUNTING

IP65

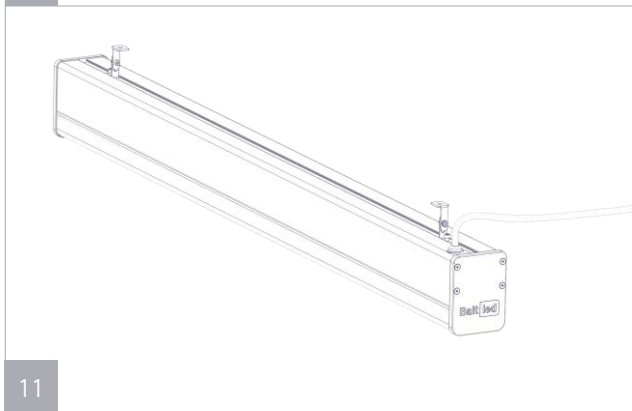
RoHS Compliant



9



10 BROWN – L, BLUE – N, YELLOW/GREEN - PE



11

CONNECTION SCHEME

STANDARD

- (L) – line (brown)
- (N) – neutral (blue)
- (PE) – protective earth (green/yellow)

EMERGENCY

- (L) – line (brown)
- (N) – neutral (blue)
- (PE) – protective earth (green/yellow)
- EMERGENCY (L) – line (black)
- EMERGENCY (N) – neutral (grey)

DALI

- (L) – line
- (N) – neutral
- (PE) – protective earth (green/yellow)
- DALI line (black)
- DALI line (grey)

EMERGENCY + DALI

- (L) – line (brown)
- (N) – neutral (blue)
- (PE) – protective earth (green/yellow)
- EMERGENCY (L) – line (black)
- EMERGENCY (N) – neutral (grey)
- DALI line (white)
- DALI line (red)

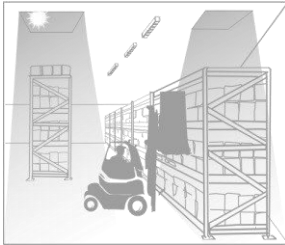
QUANTITY OF LUMINAIRES PER CIRCUIT BREAKER

SKU	LUMINAIRE QTY PER 16A TYPE C CIRCUIT BREAKER	LUMINAIRE QTY PER 25A TYPE C CIRCUIT BREAKER
BWLH-02584060	150	275
BWLH-05084060	80	147
BWLH-10084060	42	77
BWLH-15084060	29	53
BWLH-20084060	24	44
BWLH-20184060	20	37
BWLH-025840100	150	275
BWLH-050840100	80	147
BWLH-100840100	42	77
BWLH-150840100	29	53
BWLH-200840100	24	44
BWLH-201840100	20	37
BWLH-025840120	130	238
BWLH-050840120	80	147
BWLH-100840120	40	73
BWLH-150840120	27	50

MOTION AND LIGHT SENSOR

IP65

RoHS Compliant



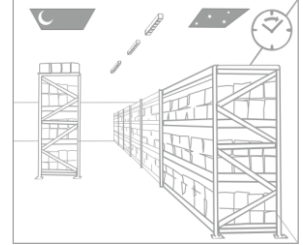
With sufficient ambient lux level, light keeps off even when motion is detected.



Light is on when sensor detects the motion and the ambient lux level is insufficient



When no more motion is detected, the light dims entering standby mode after hold time.



The lights turns off automatically after standby mode.

SET-UP CONFIGURATIONS

1. Detection area

This determines the effective range of the motion detector.

- I – 100 %
- II – 75 %
- III – 50 %
- IV – 10 %



	1	2	
I	●	●	100 %
II	●	○	75 %
III	○	●	50 %
IV	○	○	10 %

2. Hold time

This is the minimum amount of time that the luminaire will remain at 100% light output after no motion is detected.

- I – 5 s
- II – 30 s
- III – 1 min
- IV – 5 min
- V – 10 min
- VI – 20 min



	3	4	5	
I	●	●	●	5 s
II	○	●	●	30 s
III	●	○	●	1 min
IV	●	●	○	5 min
V	○	○	●	10 min
VI	○	●	○	20 min
VII	○	○	○	30 min

3. Daylight sensor

This setting determines when there is insufficient daylight for natural lighting. In disable mode luminaire will always turn on upon movement.

- I – Disable
- II – 50 lux
- III – 10 lux
- IV – 2 lux



	6	7	
I	●	●	Disable
II	●	○	50 lux
III	○	●	10 lux
IV	○	○	2 lux

4. Corridor function

This determines standby time that the light remains dimmed before it is completely turned off.

- I – 0 s
- II – 10 s
- III – 1 min
- IV – 5 min
- V – 10 min
- VI – 30 min
- VII – 1 h
- VIII – + ∞



	8	9	10	
I	●	●	●	0 s
II	○	●	●	10 s
III	●	○	●	1 min
IV	●	●	○	5 min
V	○	○	●	10 min
VI	○	●	○	30 min
VII	●	○	○	1 h
VIII	○	○	○	+ ∞

5. Standby dim level

Light can be dimmed to different levels after hold time.

- I – 10 %
- II – 20 %
- III – 30 %
- IV – 50 %



	11	12	
I	●	●	10 %
II	●	○	20 %
III	○	●	30 %
IV	○	○	50 %