

# SNOW MINI S12



## ITEM DESCRIPTION



With SNOW MINI S12 we enable fast and cost-effective illumination of small depth narrow letters. Illuminates sharp edges.

## APPLICATION

- Small depth narrow letters
- Recommended depth 40 – 75 mm

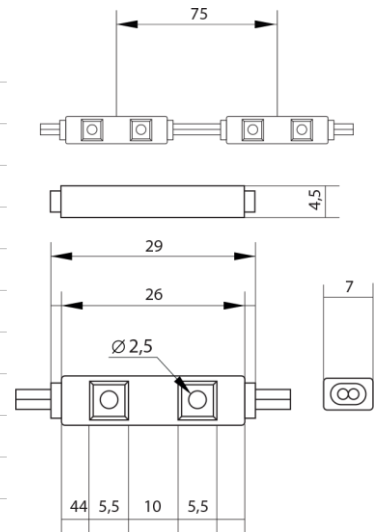
## FEATURES & BENEFITS

- Extremely small size of only 7 mm width, 29 mm length
- Helps to illuminate tight corners
- IP66 protection class
- 3 year warranty

## GENERAL SPECIFICATIONS

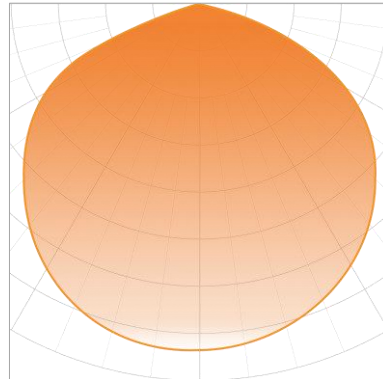
SUPPLY VOLTAGE	12 VDC
POWER	0.3 W
CCT	6900 – 7400 K
RECOMMENDED DEPTH	From 40 to 75 mm
CC DISTANCE	75 mm
OPERATING TEMPERATURE	-35 °C ~ +50 °C
STORAGE TEMPERATURE	-40 °C ~ +90 °C
STORAGE CONDITIONS	Relative humidity <60%
LIFETIME	L70 25,000 h
WARRANTY	3 years*

\*Warranty is applied only and if storage, mounting and maintenance conditions, stated in the installation guide, are followed.



\* Dimensions are in mm

## LIGHT DISTRIBUTION GRAPH



Beam angle: 120°

## ORDERING INFORMATION

PRODUCT NAME	POWER	LUMEN OUTPUT, LM	COLOUR	STATUS
BMS-S12-02UB120W1	0.3	14.5	7000 K	IN STOCK

CHAIN	BAG	BOX
30 pcs (net weight: 0.053 kg)	300 pcs (net weight: 0.538 kg)	4500 pcs (net weight: 8.700 kg)