

CROWN OPTO S1



ITEM DESCRIPTION

In front of you – technical information of the updated Crown OPTO S1 module. Crown OPTO S1 was a really good option for illuminating middle-range depth letters and light boxes, but now it is even better. We have equipped S1 with a better LED, resulting in increased life time to L70 45 000 h, hence granting 5 years 24/7 warranty. Crown OPTO S1 – a great option for middle-range depth projects when economical, although quality solution is needed.

APPLICATION

- Channel letters signs and light boxes
- Recommended depth 50 – 120 mm

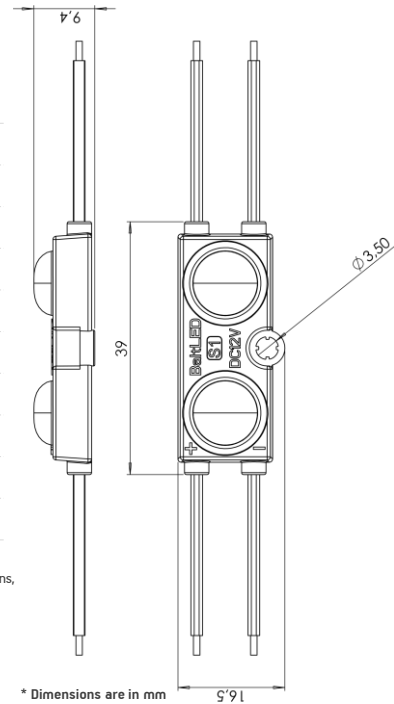
FEATURES & BENEFITS

- Compact design
- Efficiency up to 107 lm/W
- IP67 protection class
- White, red, green and blue colours are available
- 5 year warranty

GENERAL SPECIFICATIONS

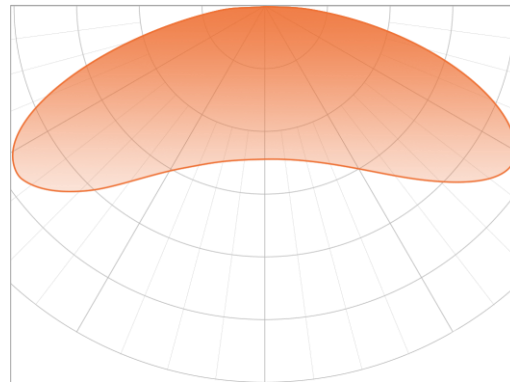
| | |
|-----------------------|------------------------|
| SUPPLY VOLTAGE | 12 VDC |
| POWER | 0.75 W |
| RECOMMENDED DEPTH | From 50 to 120 mm |
| CC DISTANCE | 200 mm |
| BINNING | 3 SDCM |
| OPERATING TEMPERATURE | -30 °C ~ +50 °C |
| STORAGE TEMPERATURE | -40 °C ~ +70 °C |
| STORAGE CONDITIONS | Relative humidity <60% |
| LIFETIME | L70 45,000 h |
| WARRANTY | 5 years (24/7)* |

*Warranty is applied only and if storage, mounting and maintenance conditions, stated in the installation guide, are followed.



* Dimensions are in mm

LIGHT DISTRIBUTION GRAPH



Beam angle: 160°

ORDERING INFORMATION

| SKU | POWER, W | LUMEN OUTPUT, LM | COLOUR TEMP. | STATUS |
|---------------------|----------|------------------|--------------|-------------|
| BMP-S1-02UH160CW652 | 0,75 | 80 | 6500 K | IN STOCK |
| BMP-S1-02UH160RC | 0,75 | 30 | red | PRE-ORDER** |
| BMP-S1-02UH160GC | 0,75 | 50 | green | PRE-ORDER** |
| BMP-S1-02UH160BC | 0,75 | 13 | blue | PRE-ORDER** |

* Pre-order products will be available only with MOQ from 3000 EUR, lead time 3 – 8 weeks, for 5000 K – up to 12 weeks. For precise lead time, contact your Customer Service manager.

| CHAIN | BAG | BOX |
|-------------------------------|--------------------------------|--------------------------------|
| 50 pcs (net weight: 0.401 kg) | 100 pcs (net weight: 0.820 kg) | 1000 pcs (net weight 8.700 kg) |

© 2018, All rights reserved BaltLED, UAB. Specifications are subject to change without notice.