

# CROWN DUO R13V12

Crown DUO R13V12 modules are best for double sided light boxes. Equipped with elliptical lenses these modules are designed for depths ranging from 140 to 250 mm, can be installed with 60 – 200 mm step. Crown DUO R13V12 show extreme endurance at harsh working conditions (IP66) and have 3 year warranty with L70 for 25,000 hours.

## Application

- Double sided light boxes with depth over 120 mm
- Maximum height of light box 1 500 mm
- Bus shelters, city lights

## Features & benefits

- Integrated CC control (11-16VDC)
- IP66 protection class
- CRI >82
- 3 year warranty
- 12 V solution

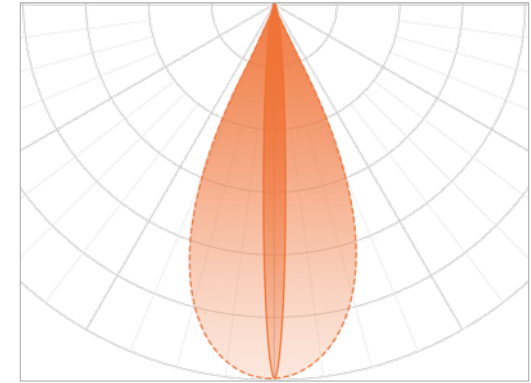
## Technical information

### General specifications

Supply voltage	12 VDC
Power	1.45 W
CCT	6500 ± 250 K
CC distance	200 mm
Recommended depth	From 140 to 250 mm
Operating temp.	-30 °C ~ +50 °C
Storage temp.	-8 °C ~ +60 °C
Certification	CE and RoHS compliant
IP class	IP66
Lifetime	L70 25,000 h
Warranty	3 years*

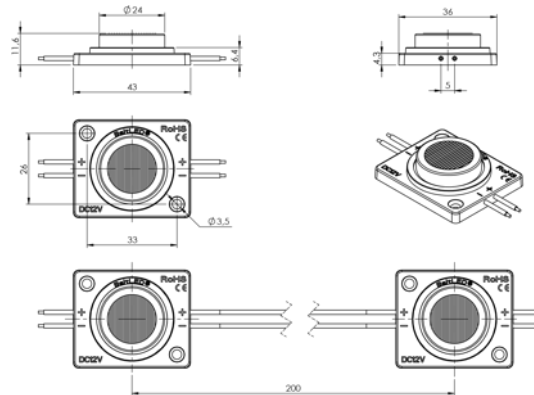
\* Warranty is applied only and if storage, mounting and maintenance conditions, stated in the installation guide, are followed.

### Light distribution graph



Beam angle: 12x56°

### Dimensions



### Ordering information

SKU	Lumens, lm	Colour temp. K	Power, W
<b>IN STOCK</b>			
BMS-R13V12-01USELPCW	110	6500 ± 250	1.45
<b>PRE-ORDER*</b>			
BMS-R13V12-01USELPWW	105	3000	1.45

\* Pre-order products will be available only with MOQ from 3000 Eur, lead time 3 – 8 weeks. For precise lead time, contact your Customer Service manager.

#### Ordering quantity

Chain: 30 pcs	(net weight: 0.51 kg)
Bag: 60 pcs	(net weight: 1.02 kg)