

CROWN DUO STAR



ITEM DESCRIPTION

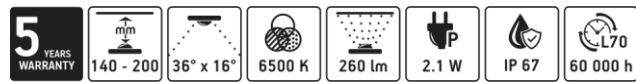
With Crown DUO STAR we enable cost-effective illumination of big depth double-sided light boxes. Carbon fiber plastic housing and patented ventilation system allowed us to make lightweight module with impressive ventilation. Therefore, high-power LED could be installed. Special acrylic elliptical lens grants wide angle uniform light distribution pattern.

APPLICATION

- High brightness illumination of big depth double-sided light boxes
- Recommended depth 140 – 200 mm

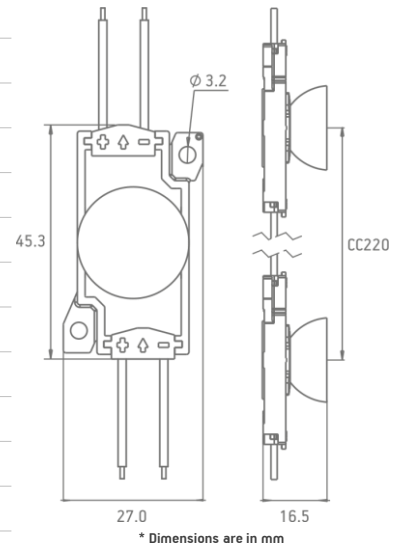
FEATURES & BENEFITS

- High efficiency over 124 lm/W
- Special acrylic elliptical lens
- Carbon fiber plastic housing
- Patented ventilation system
- IP67 protection class
- 5-year warranty



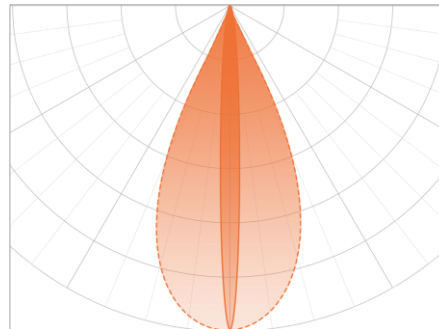
GENERAL SPECIFICATIONS

SUPPLY VOLTAGE	700 mA
POWER	2.1 W
RECOMMENDED DEPTH	From 140 to 200 mm
CC DISTANCE	220 mm
BINNING	3 SDCM
OPERATING TEMPERATURE	-35 °C ~ +50 °C
STORAGE TEMPERATURE	+5 °C ~ +90 °C
STORAGE CONDITIONS	Relative humidity <60%
CERTIFICATION	CE and RoHS compliant
IP CLASS	IP 67
LIFETIME	L70 60,000 h
WARRANTY	5 years*



*Warranty is applied only and if storage, mounting and maintenance conditions, stated in the installation guide, are followed.

LIGHT DISTRIBUTION GRAPH



Beam angle: 36° x 16°

ORDERING INFORMATION

SKU	POWER, W	LUMEN OUTPUT, LM	COLOUR TEMP.	STATUS
BMP-S52.4-01EX0ELW1	2.1	260	6500 K	IN STOCK

PACKAGING

CHAIN	BAG	BOX
15 pcs (net weight: 0.193 kg)	30 pcs (net weight: 0.689 kg)	300 pcs (net weight: 7.900 kg)