

# BP5P-C700-40.1

40 W CONSTANT CURRENT  
LED DRIVER



## FEATURES

- Constant current type power supply
- Power Factor Correction
- 100 – 240 VAC input
- IP67 protection class
- UL1310 Class 2 power unit, pass LPS
- 100% full load burn-in tested
- Designed for LED lighting and signage applications
- 5 years warranty

## CONFORMITY & STANDARDS

- EN60950-1
- EN61347-2-13
- EN55015
- EN55022 Class B
- EN 61000-3-2,-3
- EN61000-4-2,3,4,5,6,8,11
- EN50204
- EN55024
- EN61547



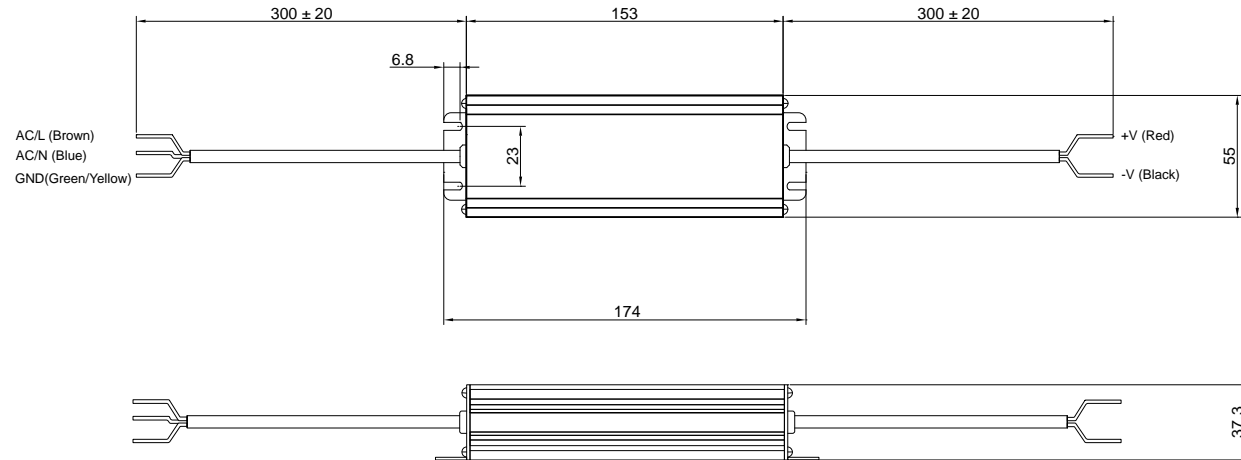
## GENERAL SPECIFICATIONS

EFFICIENCY	84 %
TURN ON DELAY	0.8 s
OPERATING CONDITIONS	-30 °C ~ +50 °C; 20 ~ 90% humidity
STORAGE CONDITIONS	-40 °C ~ +80 °C; 10 ~ 95% humidity
IP CLASS	IP67
PROTECTIONS INCLUDED	Short circuit Over temperature
WARRANTY	5 years, 45 000 h

## QUANTITY OF DRIVERS PER CIRCUIT BREAKER

CIRCUIT BREAKER OF TYPE B	CIRCUIT BREAKER OF TYPE C
12 units (at 230 VAC)	20 units (at 230 VAC)

## DIMENSIONS



\* Dimensions are in mm

## INPUT

INPUT VOLTAGE RANGE	100 – 240 VAC; (47 – 63 Hz)
MAX INPUT AC CURRENT	0.3 A
MAX INRUSH CURRENT	65 A
POWER FACTOR	0.9

## OUTPUT

MAX LOAD	48 V
OUTPUT CURRENT	0.7 A ± 5%
OUTPUT VOLTAGE	24 – 48 VDC
OUTPUT POWER	33.6 W

## ORDERING INFORMATION

SKU	UNIT NET WEIGHT, G	UNIT DIMENSIONS, MM
BP5P-C700-40.1	596.5	174 x 55 x 37.3