

# CROWN OPTO S4

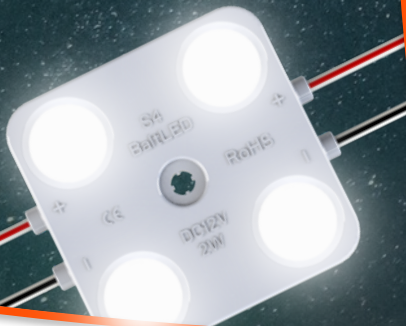
In front of you – technical information of our newest addition to Crown OPTO S family – Crown OPTO S4. Observing your fascinating interest with S family we have decided to extend the product line and provide you with modules for bigger depths as well. This is how S3 and S4 has emerged. With great lumen output up to 105 lm/W, impressive distance between the modules, S4 should be considered when you want to illuminate boxes or letters of bigger depths and need more brightness.

## Application

- Channel letters signs and light boxes
- Recommended depth 120 – 200 mm

## Features & benefits

- Efficiency up to 105 lm/W
- IP67 protection class
- White, red, green and blue colours are available
- 5 year warranty



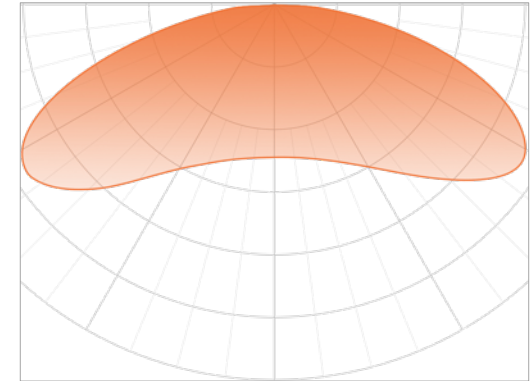
## CROWN OPTO S4 technical information

### General specifications

Supply voltage	12 VDC
Power	1.6; 2 W
Recommended depth	From 120 to 200 mm
CC distance	340 mm
Binning	3 SDCM
Operating temperature	-30 °C ~ +50 °C
Storage temperature	-40 °C ~ +70 °C
Storage conditions	Relative humidity <60%
Certification	CE and RoHS compliant
IP class	IP66
Lifetime	L70 45,000 h
Warranty	5 years (24/7)*

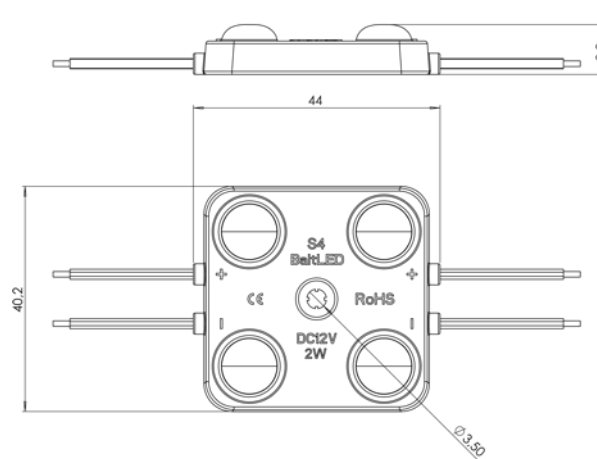
\* Warranty is applied only and if storage, mounting and maintenance conditions, stated in the installation guide, are followed.

### Light distribution graph



Beam angle: 160°

### Dimensions



### Ordering information

SKU	Luminous flux, lm	Colour temp., K	Power, W
<b>IN STOCK</b>			
BMP-S4-04UH160CW651	210	6600	2
<b>PRE-ORDER*</b>			
BMP-S4-04UH160RC	69	red	1.6
BMP-S4-04UH160GC	134	green	2
BMP-S4-04UH160BC	36	blue	2

\* Pre-order products will be available only with MOQ from 3000 Eur, lead time 3 – 8 weeks. For precise lead time, contact your Customer Service manager.

#### Ordering quantity

Chain:	20 pcs (net weight: 0.480 kg)
Bag:	80 pcs (net weight: 1.930 kg)
Box:	900 pcs (net weight: 12.080 kg)