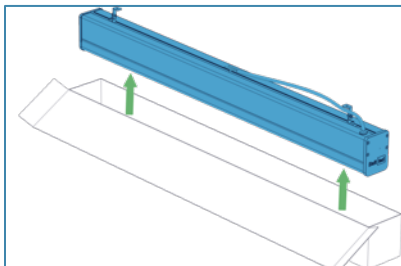
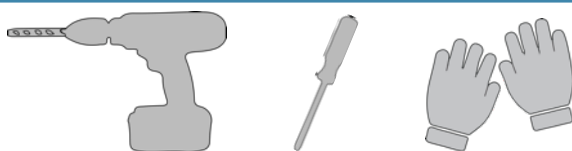


FULMAR & FULMAR H WATERPROOF INDUSTRIAL LUMINARIES

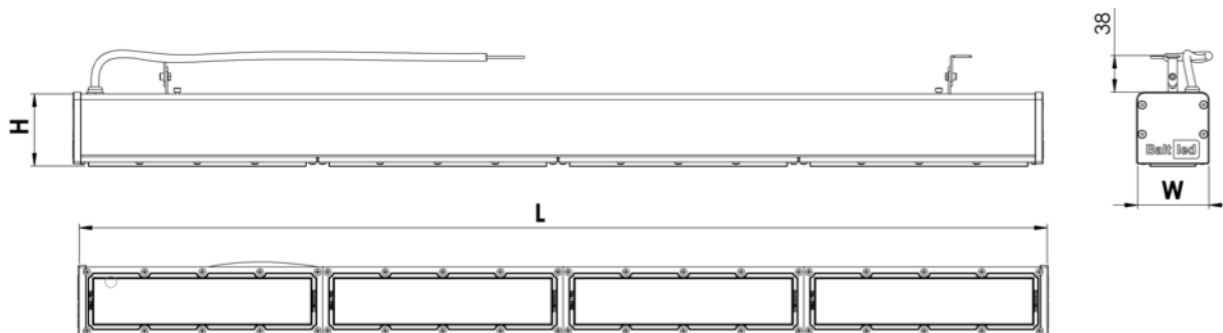
CE    IP65



INSIDE THE BOX



NEEDED FOR MOUNTING



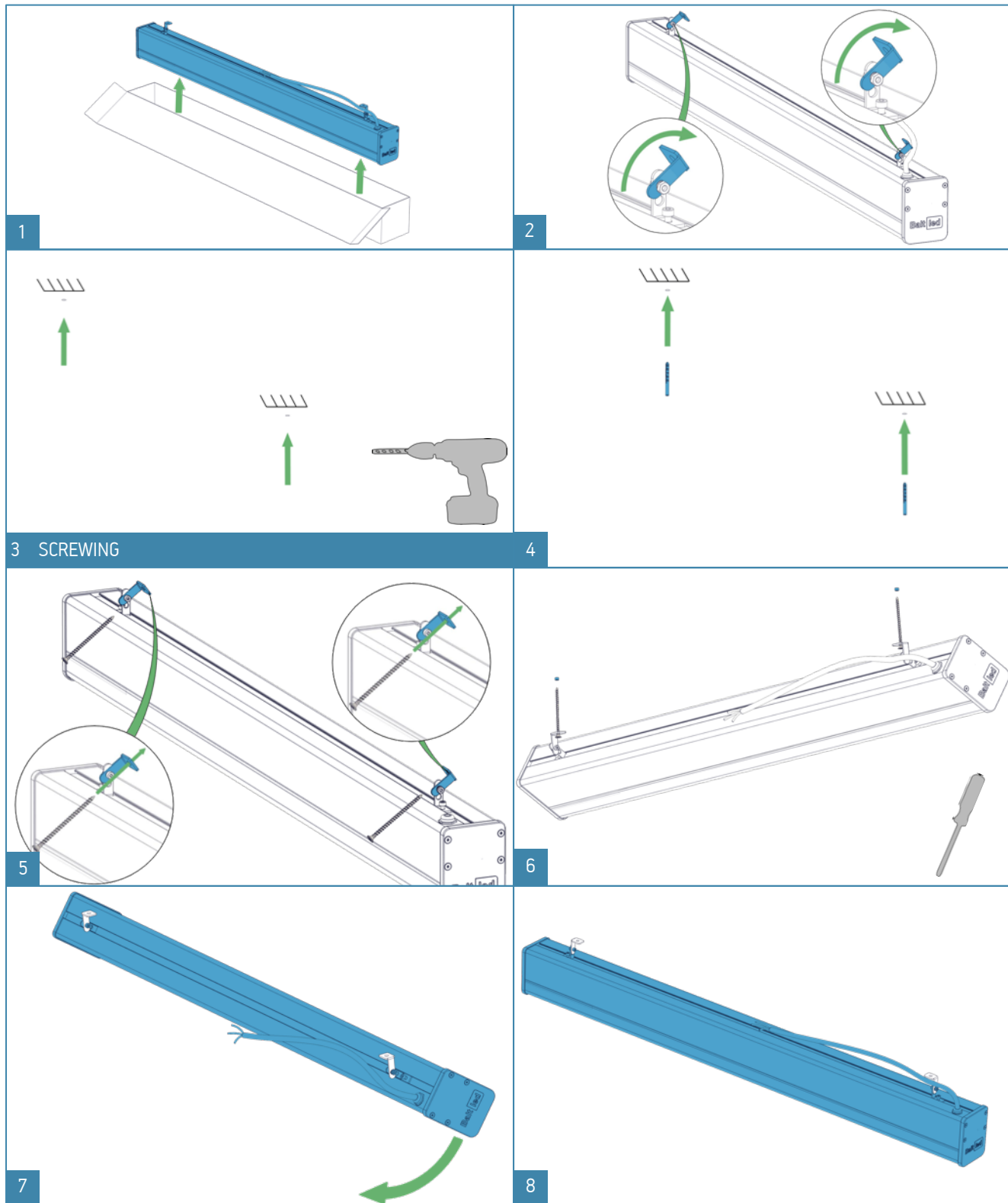
L, mm	W, mm	H, mm
528/ 1047 / 1566/ 2085	75	74*

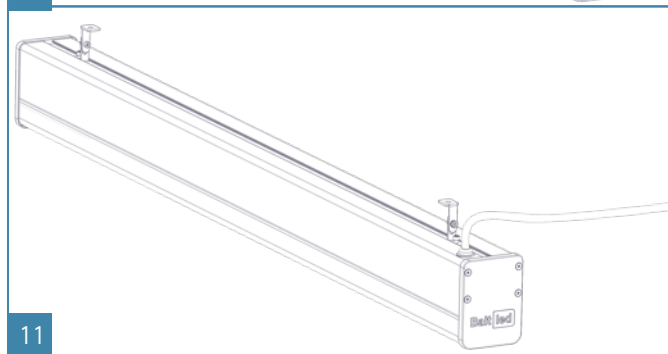
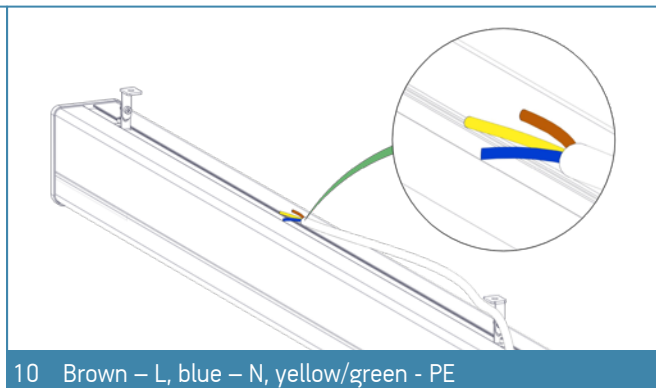
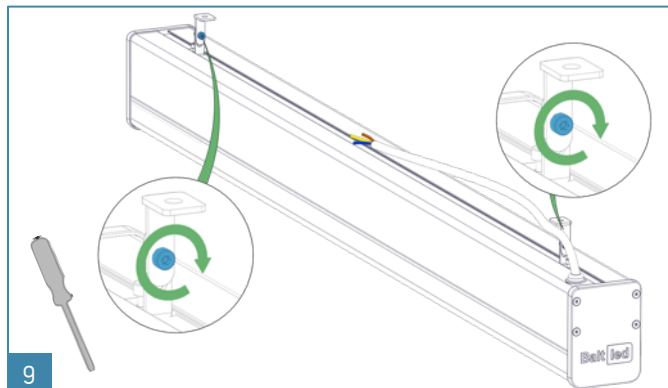
* Fulmar H 120 H = 100 mm

WARNING

- Turn power off before inspection, installation or removal.
- Properly ground electrical enclosure.
- Luminaire may fall down if not installed properly.
- Avoid direct eye exposure to the light source while it is on.
- For indoor use only.
- Dry location only.
- Do not operate luminaire with damaged parts.
- To prevent wiring damage or abrasion, do not expose wiring to edges of sheet metal or other sharp objects.
- The light source of this luminaire is not replaceable, when the light source reaches its end of life the whole luminaire shall be replaced.
- The manufacturer shall not be liable for any damage resulting from inappropriate modifications to the luminaire or faulty installation.
- If you have any questions, contact the manufacturer.

SURFACE MOUNTING





Quantity of luminaires per circuit breaker

SKU	Luminaire QTY per 16A Type C Circuit Breaker	Luminaire QTY per 25A Type C Circuit Breaker
BWLH-025840120	130	238
BWLH-050840120	80	147
BWLH-050840120-DA	80	147
BWLH-100840120	40	73
BWLH-100840120-DA	40	73
BWLH-150840120	27	50
BWLH-150840120-DA	27	50
BWLH-02584060	150	275
BWLH-05084060	80	147
BWLH-05084060-DA	80	147
BWLH-10084060	42	77
BWLH-10084060-DA	42	77
BWLH-15084060	29	53
BWLH-15084060-DA	29	53
BWLH-20084060	24	44
BWLH-20084060-DA	24	44

SKU	Luminaire QTY per 16A Type C Circuit Breaker	Luminaire QTY per 25A Type C Circuit Breaker
BWLH-20184060	20	37
BWLH-20184060-DA2	20	37
BWLH-025840100	150	275
BWLH-050840100	80	147
BWLH-050840100-DA	80	147
BWLH-100840100	42	77
BWLH-100840100-DA	42	77
BWLH-150840100	29	53
BWLH-150840100-DA	29	53
BWLH-200840100	24	44
BWLH-200840100-DA	24	44
BWLH-201840100	20	37
BWLH-201840100-DA2	20	37