

# SNOW MINI S12

With SNOW MINI S12 we enable fast and cost-effective illumination of small depth narrow letters. Illuminates sharp edges.

## Application

- Small depth narrow letters
- Recommended depth 40 – 75 mm

## Features & benefits

- Extremely small size of only 7 mm width, 29 mm length
- Helps to illuminate tight corners
- IP66 protection class
- 3 year warranty



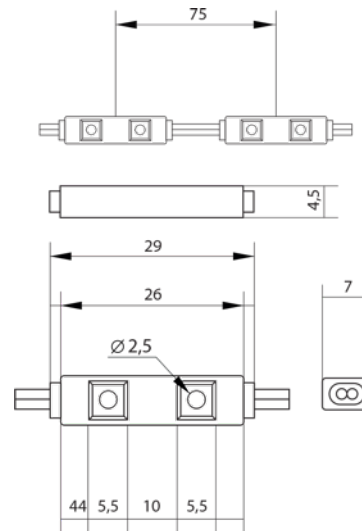
## SNOW MINI S12 technical information

### General specifications

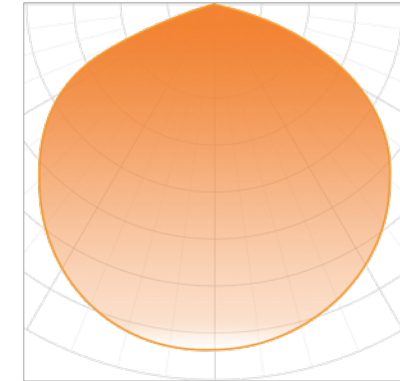
Supply voltage	12 VDC
Power	0.3 W
CCT	6900 – 7400 K
Recommended depth	From 40 to 75 mm
CC distance	75 mm
Operating temp.	-35 °C ~ +50 °C
Storage temp.	-40 °C ~ +90 °C
Storage conditions	Relative humidity <60%
Certification	CE and RoHS compliant
IP class	IP66
Lifetime	L70 25,000 h
Warranty	3 years*

\* Warranty is applied only and if storage, mounting and maintenance conditions, stated in the installation guide, are followed.

### Dimensions



### Light distribution graph



Beam angle: 120°

### Ordering information

SKU	Luminous flux, lm	Colour temp.	Power, W
<b>IN STOCK</b>			
BMS-S12-O2UB120W1	14	6900 – 7400 K	0.3
<b>PRE-ORDER*</b>			
BMS-S12-O2B120R	7	red	0.3

\* Pre-order products will be available only with MOQ from 3000 Eur, lead time 3 – 8 weeks. For precise lead time, contact your Customer Service manager.

#### Ordering quantity

Chain: 30 pcs	(net weight: 0.045 kg)
Bag: 300 pcs	(net weight: 0.450 kg)
Box: 4500 pcs	(net weight: 6.750 kg)