

CROWN OPTO X4

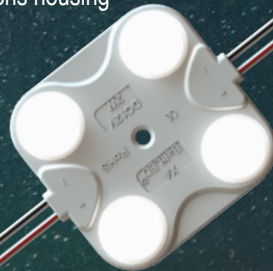
With Crown OPTO X4 we introduce a new member for Crown OPTO family for big letters and one sided light box. Designed for depths ranging from 140 to 300 mm, these modules also enable you to reduce installation time and save up on module quantity. As they can be installed with 350 mm step, you need 20% less modules for 1 m² than with previous solutions. Powered by Philips Lumiled, they show extreme endurance at harsh working conditions (IP67) and have 7 year warranty with L70 for 80,000 hours.

Application

- Big letters and one sided light box
- Recommended depth 140 – 300 mm
- Red, green and blue colours available

Features & benefits

- Powered by Philips Lumiled
- CRI > 83
- Extreme environment and conditions housing
- Easy and fast installation cables
- Made in Europe
- IP67 protection class
- 7 years warranty



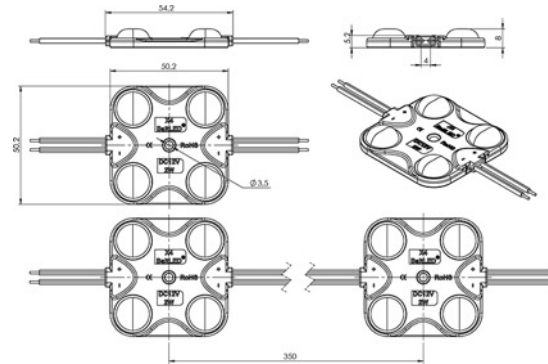
CROWN OPTO X4 technical information

General specifications

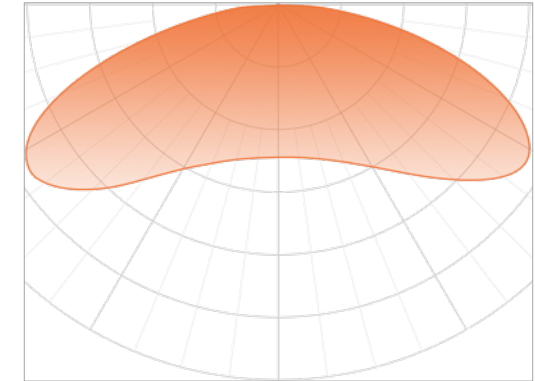
Supply voltage	12 VDC
Power	2.0 W
Recommended depth	From 140 to 300 mm
CC distance	350 mm
Binning	3 SDCM
Operating temp.	-40 °C ~ +60 °C
Storage temp.	+5 °C ~ +35 °C
Storage conditions	Relative humidity <60%
Certification	CE and RoHS compliant
IP class	IP67
Lifetime	L70 80,000 h (white) L70 60,000 h (other)
Warranty	7 years*

* Warranty is applied only and if storage, mounting and maintenance conditions, stated in the installation guide, are followed.

Dimensions



Light distribution graph



Beam angle: 160°

Ordering information

SKU	Luminous flux, lm	Colour temp.	Power, W
BMP-X4.2-04UH160CW65NS	200	6 500 K	2
BMP-X4.2-04UH160NW40NS	200	4 000 K	2
BMP-X4.2-04UH160WW30NS	180	3 000 K	2
BMP-X4.2-04UH160WW27NS	180	2 700 K	2
BMP-X4.2-04UH160RC	68	624 – 626 nm	1.6
BMP-X4.2-04UH160GC	150	473 – 475 nm	2
BMP-X4.2-04UH160BC	36	535 – 538 nm	2

Ordering quantity

Chain: 30 pcs	(net weight: 0.88 kg)
Bag: 60 pcs	(net weight: 1.8 kg)
Box: 540 pcs	(net weight: 16.7 kg)