

CROWN OPTO X3

With Crown OPTO X3 we introduce a new member for Crown OPTO family for one-sided signs. Designed for depths ranging from 140 to 250 mm, these modules also enable you to reduce installation time and save up on module quantity. As they can be installed with 320 mm step, you need 20% less modules for 1 m² than with previous solutions. Powered by Philips Lumiled, they show extreme endurance at harsh working conditions (IP67) and have 7 year warranty with L70 for 80,000 hours.

Application

- One-sided signs and light boxes
- Recommended depth 140 – 250 mm
- Red, green and blue colours available

Features & benefits

- Powered by Philips Lumiled
- CRI > 83
- Extreme environment and conditions housing
- Easy and fast installation cables
- Made in Europe
- IP67 protection class
- 7 year warranty

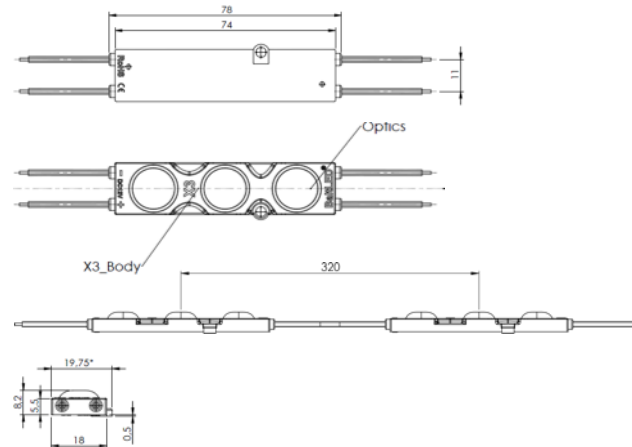
CROWN OPTO X3 technical information

General specifications

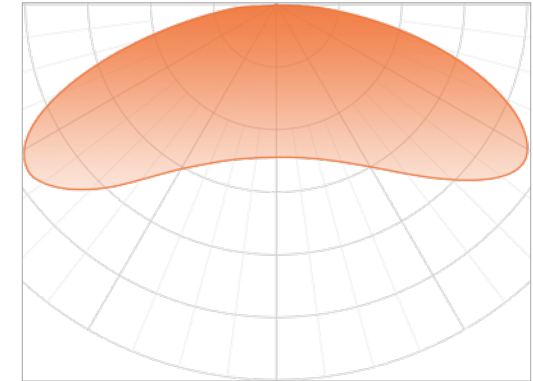
Supply voltage	12 VDC
Power	1.5 W
Recommended depth	From 140 to 250 mm
CC distance	320 mm
Binning	3 SDCM
Operating temp.	-40 °C ~ +60 °C
Storage temp.	+5 °C ~ +35 °C
Storage conditions	Relative humidity <60%
Certification	CE and RoHS compliant
IP class	IP67
Lifetime	L70 80,000 h (white) L70 60,000 h (other)
Warranty	7 years*

* Warranty is applied only and if storage, mounting and maintenance conditions, stated in the installation guide, are followed.

Dimensions



Light distribution graph



Beam angle: 160°

Ordering information

SKU	Luminous flux, lm	Colour temp.	Power, W
IN STOCK			
BMP-X3.2-03UH160CW65NS	152	6 500 K	1.5
PRE-ORDER*			
BMP-X3.2-03UH160DW50NS	152	5000 K	1.5
BMP-X3.2-03UH160NW40NS	152	4 000 K	1.5
BMP-X3.2-03UH160WW30NS	137	3 000 K	1.5
BMP-X3.2-03UH160RC	51	red	1.2
BMP-X3.2-03UH160GC	105	green	1.5
BMP-X3.2-03UH160BC	27	blue	1.5

* Pre-order products will be available only with MOQ from 3000 Eur, lead time 3 – 8 weeks, for 5000 K – up to 12 weeks. For precise lead time, contact your Customer Service manager.

Ordering quantity

Chain: 30 pcs	(net weight: 0.57 kg)
Bag: 90 pcs	(net weight: 1.8 kg)
Box: 540 pcs	(net weight: 10.8 kg)