

CROWN OPTO X2

With Crown OPTO X2 we introduce a new member for Crown OPTO family for one-sided signs. Designed for depths ranging from 100 to 160 mm, these modules also enable you to reduce installation time and save up on module quantity. As they can be installed with 230 mm step, you need 22% less modules for 1 m² than with previous solutions. Powered by Philips Lumiled, they show extreme endurance at harsh working conditions (IP67) and have 7 year warranty with L70 for 80,000 hours.

Application

- One-sided signs and light boxes
- Recommended depth 100 – 160 mm
- Red, green and blue colours available

Features & benefits

- Powered by Philips Lumiled
- CRI > 83
- Extreme environment and conditions housing
- Easy and fast installation cables
- Made in Europe
- IP67 protection class
- 7 year warranty

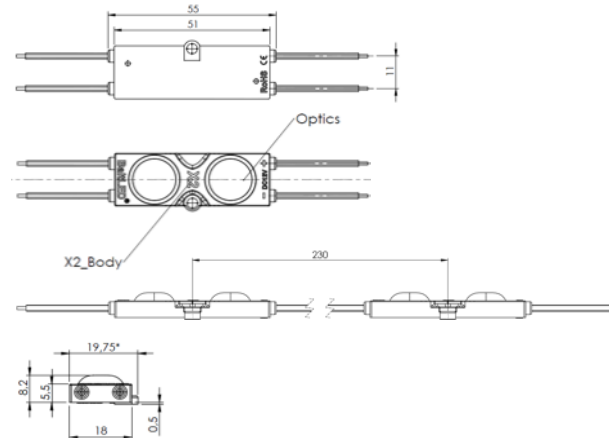
CROWN OPTO X2 technical information

General specifications

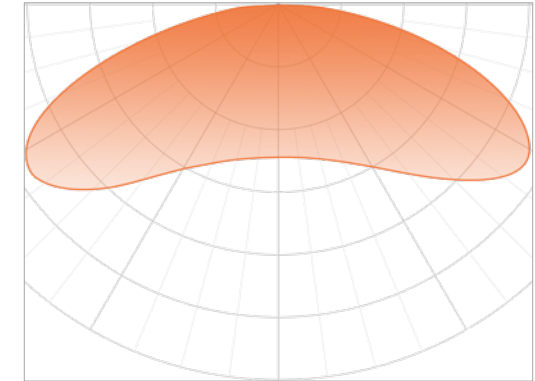
Supply voltage	12 VDC
Power	1.0 W
Recommended depth	From 100 to 160 mm
CC distance	230 mm
Binning	3 SDCM
Operating temperature	-40 °C ~ +60 °C
Storage temperature	+5 °C ~ +35 °C
Storage conditions	Relative humidity <60%
Certification	CE and RoHS compliant
IP class	IP67
Lifetime	L70 80,000 h (white) L70 60,000 h (other)
Warranty	7 years*

* Warranty is applied only and if storage, mounting and maintenance conditions, stated in the installation guide, are followed.

Dimensions



Light distribution graph



Beam angle: 160°

Ordering information

SKU	Luminous flux, lm	Colour temp.	Power, W
BMP-X2.2-O2UH160CW65NS	102	6 500 K	1
BMP-X2.2-O2UH160NW40NS	102	4 000 K	1
BMP-X2.2-O2UH160WW30NS	92	3 000 K	1
BMP-X2.2-O2UH160WW27NS	92	2 700 K	1
BMP-X2.2-O2UH160RC	34	624 – 626 nm	0.8
BMP-X2.2-O2UH160GC	70	473 – 475 nm	1
BMP-X2.2-O2UH160BC	18	535 – 538 nm	1

Ordering quantity

Chain: 50 pcs	(net weight: 0.66 kg)
Bag: 100 pcs	(net weight: 1.4 kg)
Box: 900 pcs	(net weight: 12.9 kg)