

CROWN OPTO X0

With Crown OPTO X0 we introduce a better solution for illumination of small depth light boxes and channel letters. Designed for depths ranging from 30 to 100 mm, these modules also enable you to reduce installation time and save up on module quantity. As they have a better light distribution pattern, you need less modules for 1 m² than with previous solutions. Powered by Philips Lumiled, they show extreme endurance at harsh working conditions (IP67) and have 7 year warranty with L70 for 90,000 hours.

Application

- Small depth channel letters
- Small depth light boxes
- Recommended depth 30 – 100 mm

Features & benefits

- Powered by Philips Lumiled
- CRI >83
- Extreme environment and conditions housing
- Easy and fast installation cables
- Made in Europe
- IP67 protection class
- 7 year warranty

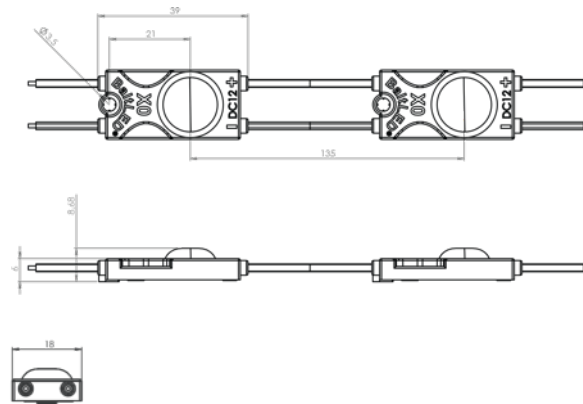
CROWN OPTO X0 technical information

General specifications

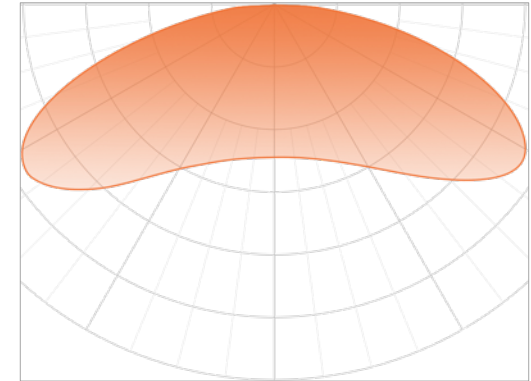
Supply voltage	12 VDC
Power	0.35 W
Recommended depth	From 30 to 100 mm
CC distance	135 mm
Binning	3 SDCM
Operating temperature	-40 °C ~ +60 °C
Storage temperature	+5 °C ~ +35 °C
Storage conditions	Relative humidity <60%
Certification	CE and RoHS compliant
IP class	IP67
Lifetime	L70 90,000 h
Warranty	7 years*

* Warranty is applied only and if storage, mounting and maintenance conditions, stated in the installation guide, are followed.

Dimensions



Light distribution graph



Beam angle: 160°

Ordering information

SKU	Luminous flux, lm	Colour temp., K	Power, W
IN STOCK			
BMP-X0.2-01UH160CW65NS	40	6500	0.35
BMP-X0.2-01UH160NW40NS	39	4000	0.35
PRE-ORDER*			
BMP-X0.2-01UH160VW30NS	32	3000	0.35
BMP-X0.2-01UH160DW50NS	40	5000	0.35 W
BMP-X0.2-01UH160RC	11	red	0.25 W
BMP-X0.2-01UH160GC	21	green	0.3 W
BMP-X0.2-01UH160BC	6	blue	0.3 W

* Pre-order products will be available only with MOQ from 3000 Eur, lead time 3 – 8 weeks, for 5000 K – up to 12 weeks. For precise lead time, contact your Customer Service manager.

Ordering quantity

Chain: 80 pcs	(net weight: 0.68 kg)
Bag: 160 pcs	(net weight: 1.4 kg)
Box: 960 pcs	(net weight 8.4 kg)