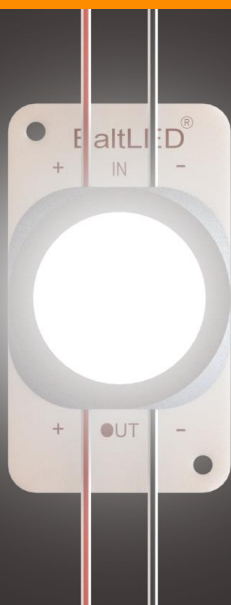


CROWN DUO H32.2



ITEM DESCRIPTION

With Crown DUO H32.2 we enable cost-effective illumination of medium depth double-sided light boxes. Special acrylic elliptical lens grants wide angle uniform light distribution pattern.

APPLICATION

- High brightness illumination of medium depth double-sided light boxes
- Recommended depth 120 – 200 mm

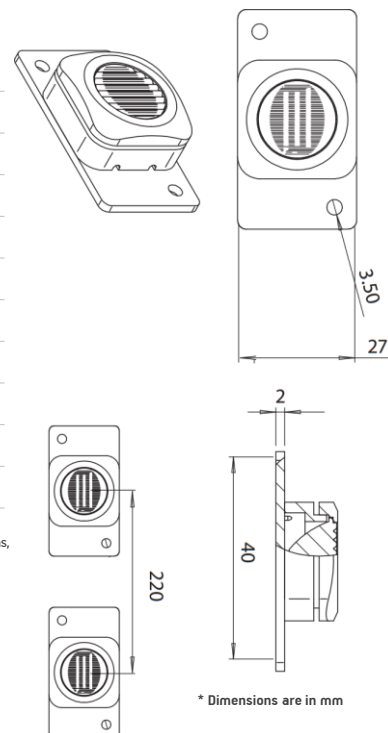
FEATURES & BENEFITS

- High efficiency over 107 lm/W
- Special acrylic elliptical lens
- IP66 protection class
- 5 year warranty

GENERAL SPECIFICATIONS

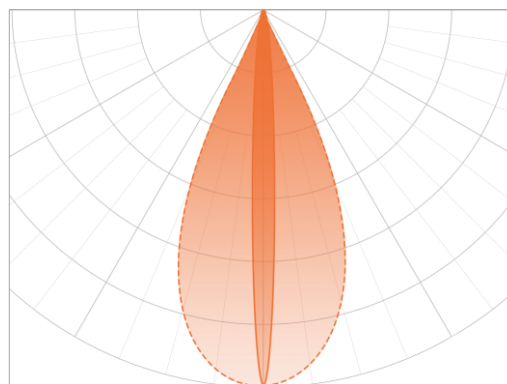
INPUT CURRENT	350 mA
POWER	1 W
CCT	6500 K
RECOMMENDED DEPTH	From 120 to 200 mm
CC DISTANCE	220 mm
OPERATING TEMPERATURE	-35 °C ~ +50 °C
STORAGE TEMPERATURE	-40 °C ~ +90 °C
STORAGE CONDITIONS	Relative humidity <60%
LIFETIME	L70 50,000 h
WARRANTY	5 years*

*Warranty is applied only and if storage, mounting and maintenance conditions, stated in the installation guide, are followed.



* Dimensions are in mm

LIGHT DISTRIBUTION GRAPH



Beam angle: 38x12°

ORDERING INFORMATION

PRODUCT NAME	POWER, W	LUMEN OUTPUT, LM	COLOUR TEMP.	STATUS
BMP-H32.2-01UNELPW1	1	107	6500 K	PRE-ORDER*

* Pre-order products will be available only with MOQ from 3000 EUR, lead time 3 – 8 weeks. For precise lead time, contact your Customer Service manager.

CHAIN		BAG		BOX	
15 pcs	(net weight: 0.410 kg)	45 pcs	(net weight: 1.320 kg)	270 pcs	(net weight: 7.783 kg)