

BP5P-V12-36.1

36 W CONSTANT VOLTAGE LED DRIVER

Features

- Constant voltage type power supply
- Power Factor Correction
- 100 – 240 VAC input
- IP67 protection class
- 100% full load burn-in tested
- Designed for LED lighting and signage applications
- 5 years warranty

Conformity & Standards

- EN60950-1
- EN61347-1
- EN61347-2-13
- EN55015
- EN55022 Class B
- EN61000-4-2,3,4,5,6,8,11
- EN61547



Technical information

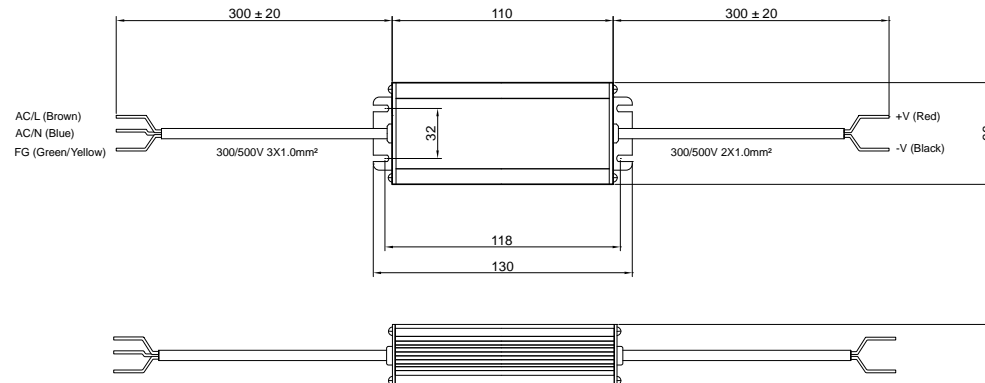
General specifications

Efficiency	90 %
Turn on delay	0.2 s
Operating conditions	-30 °C ~ +50 °C; 20 ~ 90% humidity
Storage conditions	-40 °C ~ +80 °C; 10 ~ 95% humidity
IP class	IP67
Protections included	Over current Short circuit Over voltage
Warranty	5 years, 45 000 h

Quantity of drivers per circuit breaker

Circuit breaker of type B	Circuit breaker of type C
12 units (at 230 VAC)	20 units (at 230 VAC)

Dimensions



Input

Input voltage range	100 – 240 VAC; (47 – 63 Hz)
Max input AC current	0.3 A
Max inrush current	70 A
Power factor	0.94

Output

Max load	3 A
Output current	0 – 3 A
Output voltage	12 VDC
Output power	36 W

Ordering information

SKU	Unit net weight, g	Unit dimensions, mm
BP5P-V12-36.1	600	130 x 66 x 40.3