

# BP5P-V12-100.1

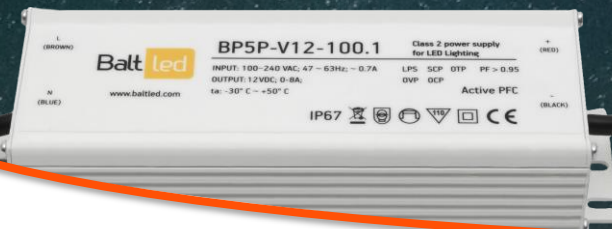
## 100 W CONSTANT VOLTAGE LED DRIVER

### Features

- Constant voltage type power supply
- Power Factor Correction
- 100 – 240 VAC input
- IP67 protection class
- UL1310 Class 2 power unit, pass LPS
- 100% full load burn-in tested
- Designed for LED lighting and signage applications
- 5 years warranty

### Conformity & Standards

- EN60950-1
- EN61347-2-13
- EN55015
- EN55022 Class B
- EN 61000-3-2, -3
- EN61000-4-2,3,4,5,6,8,11
- EN50204
- EN55024
- EN61547



### Technical information

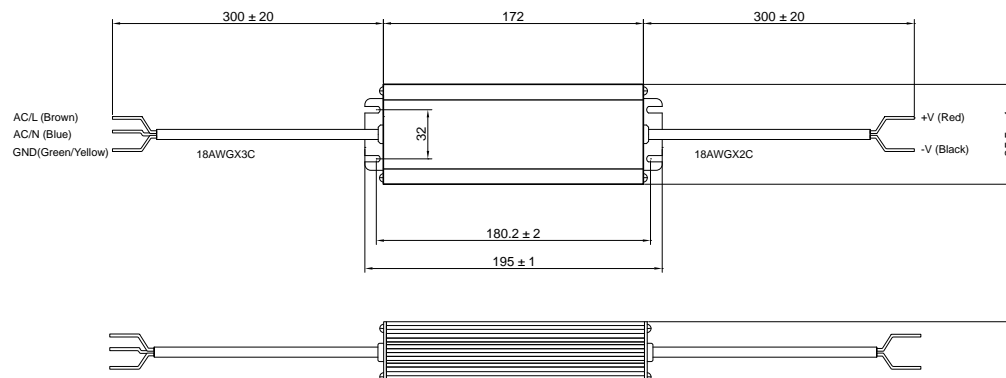
#### General specifications

Efficiency	84 %
Turn on delay	0.8 s
Operating conditions	-30 °C ~ +50 °C; 20 ~ 90% humidity
Storage conditions	-40 °C ~ +80 °C; 10 ~ 95% humidity
IP class	IP67
Protections included	Over current Short circuit Over voltage Over temperature
Warranty	5 years, 45 000 h

#### Quantity of drivers per circuit breaker

Circuit breaker of type B	Circuit breaker of type C
4 units (at 230 VAC)	8 units (at 230 VAC)

#### Dimensions



#### Input

Input voltage range	100 – 240 VAC; (47 – 63 Hz)
Max input AC current	0.7 A
Max inrush current	65 A
Power factor	0.95

#### Output

Max load	8 A
Output current	0 – 8 A
Output voltage	12 VDC
Output power	96 W

#### Ordering information

SKU	Unit net weight, g	Unit dimensions, mm
BP5P-V12-100.1	889.5	195 x 65.5 x 40.3